

# FOUR-POST LIFTS

SM40/65

SM40LT/SM55LT



# SM40/65

THE ELECTRO-HYDRAULIC FOUR-POST LIFTS OF ROTARY LIFT ARE AVAILABLE IN NUMEROUS VERSIONS AND CAN BE TAILORED PERFECTLY TO FIT THE APPLICATION ENVIRONMENT. ESPECIALLY FOR PRECISE AXLE MEASURING WORK IS A WHEEL ALIGNMENT KIT (AK) WITH SHIFTING PLATES FOR DISPOSAL. THUS, THE LIFT UP OF VERY SMALL (EG, SMART) AND EXTRA LONG VEHICLES (EG CRAFTER LONG) UP TO A WHEELBASE OF 4,90 M IS POSSIBLE.

The cold-formed drive surface profile with integrated slide rails increases the rigidity – not only when using jacking beams.

All Rotary four-post lifts are equipped with a pneumatically lockable drop-off facility. This guarantees exact axle measuring and a high degree of safety at the workplace.

The maintenance-free lifting cylinder is mounted below the drive surface and thus protected against external forces.

The functions lifting, lowering and lowering to the drop-off facility can be controlled conveniently via the operating controls.



SM65-51 with optional wheel alignment kit and optional extension kit for ramps

## DETAILS

Adjustable ratchet laths in the lifting columns provide for absolutely horizontal alignment of the lift – this is important for precise work when using the lift as axle measuring lift.

The modular construction facilitates almost unlimited possibilities of expanding and upgrading the lift, e.g. with the measuring kit for the axle measuring lift. (Turning plates are supplied by wheel alignment manufacturers).

Integrated recesses in the drive-on surface allow all standard rotary tables to be fitted. The recesses can be closed completely when no rotary table is used.



## ACCESSORIES

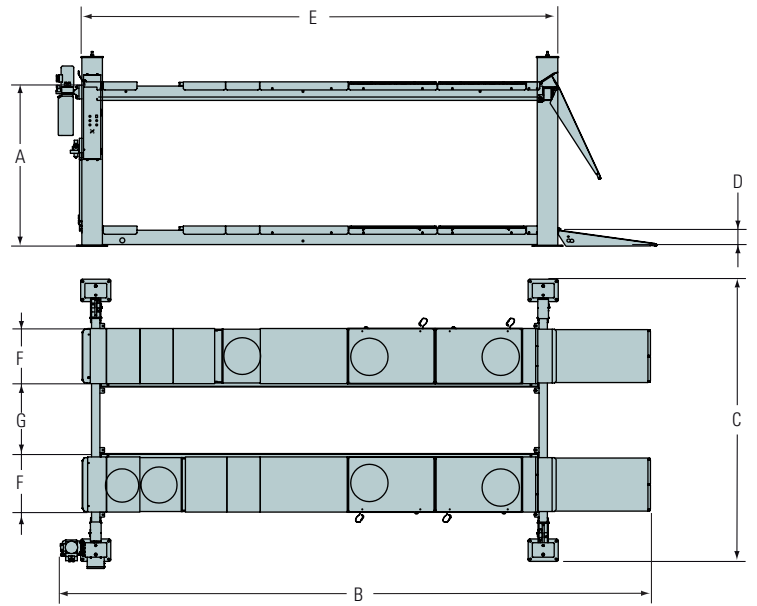
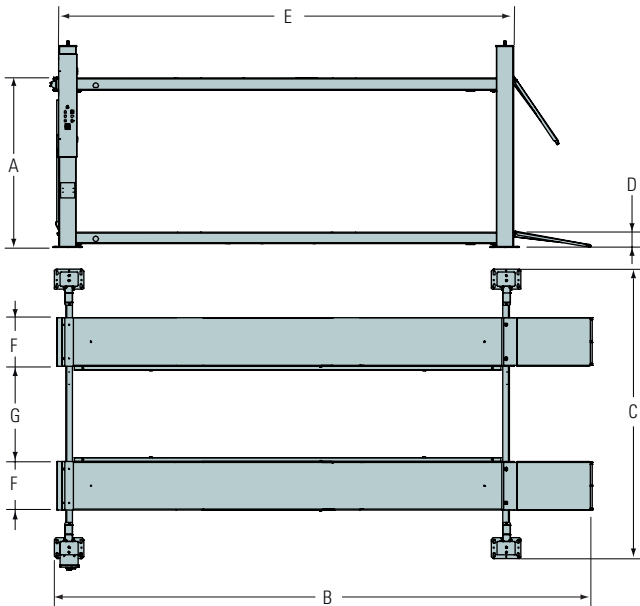
Inground kit (4 short ramps), Item No. DZRMP-SM1N



Inground kit (4 short ramps) with wheel alignment version, Item No. DZRMP-SM3N



Model	SM40-47	SM65-51	SM65-55
Capacity	4000 kg	6500 kg	6500 kg
A. Stroke (with AK)	1957 mm (+50 mm)	1990 mm (+50 mm)	1990 mm (+50 mm)
B. Overall length/ with extension	6107/6607 mm	6482/6999 mm	6882/7399 mm
C. Overall width	3473 mm	3522 mm	3522 mm
D. Ascending height (with AK)	167 mm (+50 mm)	201 mm (+50 mm)	201 mm (+50 mm)
E. Platform length	4700 mm	5100 mm	5500 mm
F. Platform width	560 mm	650 mm	650 mm
G. Platform spacing	800/950/1100 mm	900 mm	900 mm
Drive through clearance	2954 mm	2986 mm	2986 mm
Wheelbases wheel alignment min.	2178 mm	1500 mm	1500 mm
Wheelbases wheel alignment max.	3818 mm	4090 mm	4495 mm
Motor performance	4 kW	4 kW	4 kW
Electrical connection (3 phases)	400 V, 50 Hz	400 V, 50 Hz	400 V, 50 Hz
Compressed air connection	8 -10 bar	8 -10 bar	8 - 10 bar
Lifting time	45 sec.	45 sec.	45 sec.



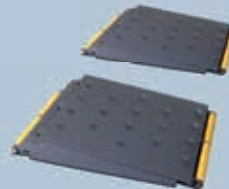
Illumination kit  
(4 LED units, 24 V),  
4300 mm Item No. LED-KIT-430  
4800 mm Item No. LED-KIT-480



Air supply Kit for jacking beam,  
Item No. AIRKIT-RJ01



Extension Kit for ramps,  
Item No. EXRMP-SM40N



Additional ramps (900 mm),  
Item No. RMP-SM40N



Alignment kit incl. 2 balance plates,  
Item No. AK-SM40-47N-7040



Jacking beam, capacity 2600 kg,  
Item No. RJ-X26-2



Alignment kit incl. 4 balance plates  
(1050 mm),  
Item No. AK-SM65-51N-7040  
Item No. AK-SM65-55N-7040



Jacking beam, capacity 4000 kg,  
Item No. RJ-X40-2

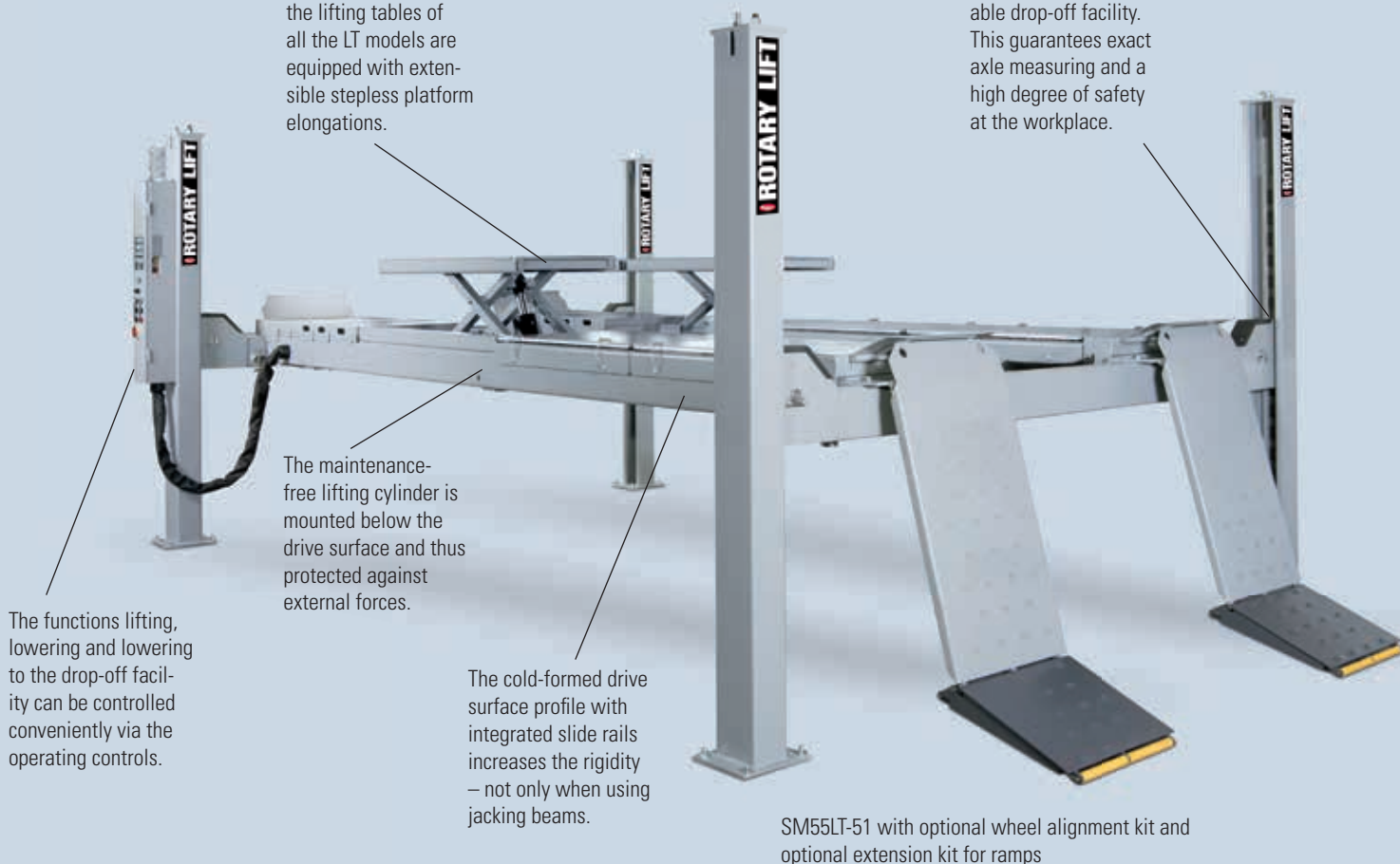


## SM40LT/SM55LT

THE ELECTRO-HYDRAULIC FOUR-POST LIFTS OF THE SM SERIES ARE AVAILABLE IN NUMEROUS VERSIONS AND CAN BE TAILORED PERFECTLY TO FIT THE APPLICATION ENVIRONMENT. THE LT MODELS WITH OPTIONAL WHEEL-ALIGNMENT KIT ARE AVAILABLE FOR PRECISE AXLE MEASURING WORK.

To facilitate flexible support of small as well as large vehicles, the lifting tables of all the LT models are equipped with extensible stepless platform elongations.

All Rotary four-post lifts are equipped with a pneumatically lockable drop-off facility. This guarantees exact axle measuring and a high degree of safety at the workplace.



### DETAILS

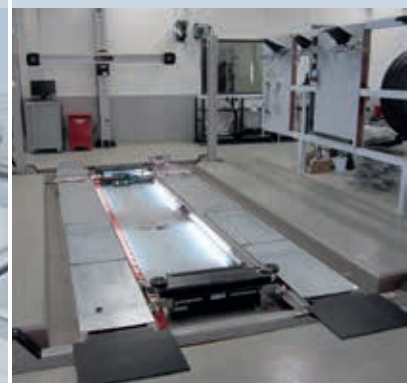
Adjustable ratchet laths in the lifting columns provide for absolutely horizontal alignment of the lift – this is important for precise work when using the lift as axle measuring lift.

The modular construction facilitates almost unlimited possibilities of expanding and upgrading the lift, e.g. with the measuring kit for the axle measuring lift.

Integrated recesses in the drive-on surface allow all standard rotary axle tables to be fitted. The recesses can be closed completely when no rotary table is used.

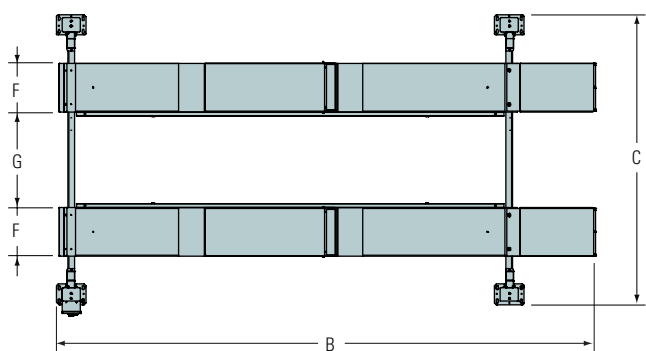
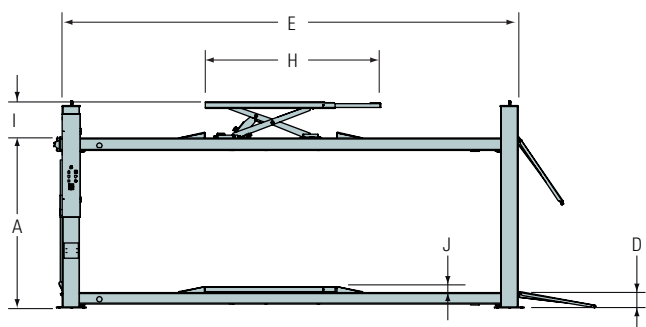
### ACCESSORIES

Inground kit optional (4 short ramps), Item No. DZRMP-SM1N





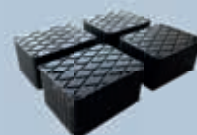
Model	SM40LT-47	SM55LT-51
Capacity	4000/3000 kg	5500/3500 kg
A. Stroke (with AK)	1957 mm (+ 50 mm)	1990 mm (+ 50 mm)
B. Overall length/ with extension	6107/6607 mm	6520/7023 mm
C. Overall width	3473 mm	3522 mm
D. Ascending height (with AK)	167 mm (+ 66 mm)	201 mm (+ 50 mm)
E. Platform length	4700 mm	5100 mm
F. Platform width	560 mm	650 mm
G. Platform spacing	800/950/1100 mm	900 mm
H. Platform length jacking beam	1490-2000 mm	1400-2100 mm
I. Stroke jacking beam/with Alignment kit	456/390 mm	430/355 mm
J. Ascending height jacking beam	66 mm	75 mm
K. Motor performance	4 kW	4 kW
Drive through clearance	2954 mm	2986 mm
Electrical connection (3 phases)	400 V, 50 Hz	400 V, 50 Hz
Compressed air connection	8-10 bar	8-10 bar
Lifting time	45 sec.	45 sec.
Lifting time jacking beam	10 sec.	10 sec.



4 rubber pads, height 40 mm, Item No. T4B



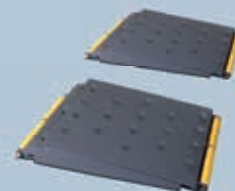
4 rubber pads, height 80 mm, Item No. T4



Additional ramps (900 mm), Item No. RMP-SM40N



Extension Kit for ramps, Item No. EXRMP-SM40N



Alignment kit incl. 2 balance plates, Item No. AK-SM40LT47N-7040  
Item No. AK-SM55LT51N-7040



Jacking beam, capacity 2600 kg, Item No. RJ-X26-2



Illumination kit (4 LED units, 24 V), 4300 mm Item No. LED-KIT-430  
4800 mm Item No. LED-KIT-480

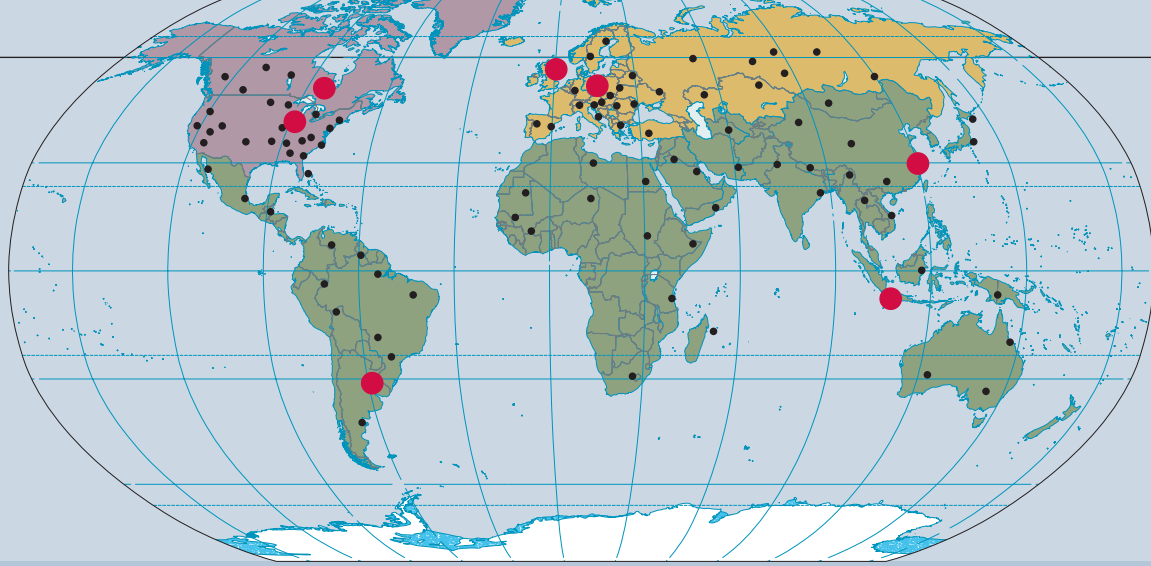


Air supply Kit for jacking beam, Item No. AIRKIT-RJ01









## LOOK LOCAL - ACT GLOBAL

WE ACT WITH FOCUS ON OUR CUSTOMERS AND THEIR REQUIREMENTS. LOCAL SUBSIDIARIES WORLDWIDE PERMIT US TO DO SO, AND AT THE SAME TIME, OFFER A HIGH DEGREE OF PRODUCT FLEXIBILITY.

Rotary Lift's story of success started in 1924. Inspired by a barber chair rising in the air, company founder Peter Lunati developed the world's first vehicle lift. The lift could rotate. This design made it possible for vehicles to drive on and off the lift in forward gear. An important argument considering the frequent problem of reversing at that time. The patent for the lift was granted on September 1, 1925 and Rotary Lift – the company – was born.

Over 90 years later, Rotary Lift has grown to become the world leader in vehicle lift productivity. Apart from the headquarters in Madison, Indiana (USA) and the European Control Center in Bräunlingen, Germany, numerous global subsidiaries attend to the desires and requirements of our customers.

With this unique network, Rotary Lift has the opportunity of analyzing and recognizing market trends at an early stage and of applying that knowledge to generate global standards. Worldwide product releases of numerous vehicle manufacturers emphasize this approach.



**Headquarter**  
Madison, IN USA

**European Control Center**  
Bräunlingen, Germany

**Rotatable**  
One of the first lifts of Rotary Lift



BlitzRotary GmbH  
info@blitzrotary.com  
www.blitzrotary.com

Zentrale  
Hüfingen Straße 55  
D-78199 Bräunlingen  
Fon +49.771.9233.0  
Fax +49.771.9233.99

Niederlassung Offenburg  
Waltersbündt 3  
D-77749 Hohberg-Hofweier  
Fon +49.7808.94399.0  
Fax +49.7808.94399.19

Niederlassung Bremen  
Hinterm Sielhof 22  
D-28277 Bremen  
Fon +49.421.54906.906  
Fax +49.421.54906.19

A DOVER COMPANY

