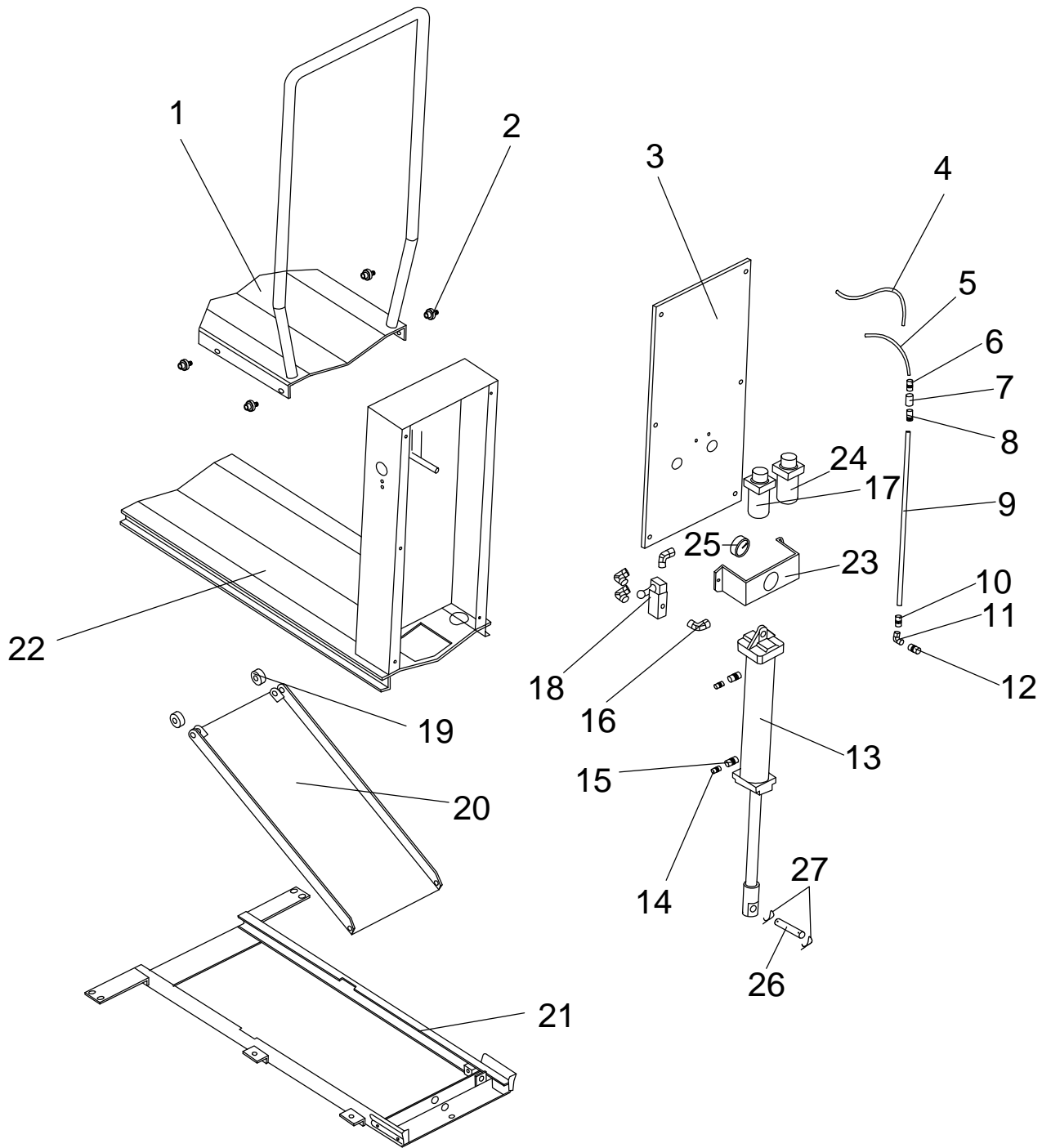
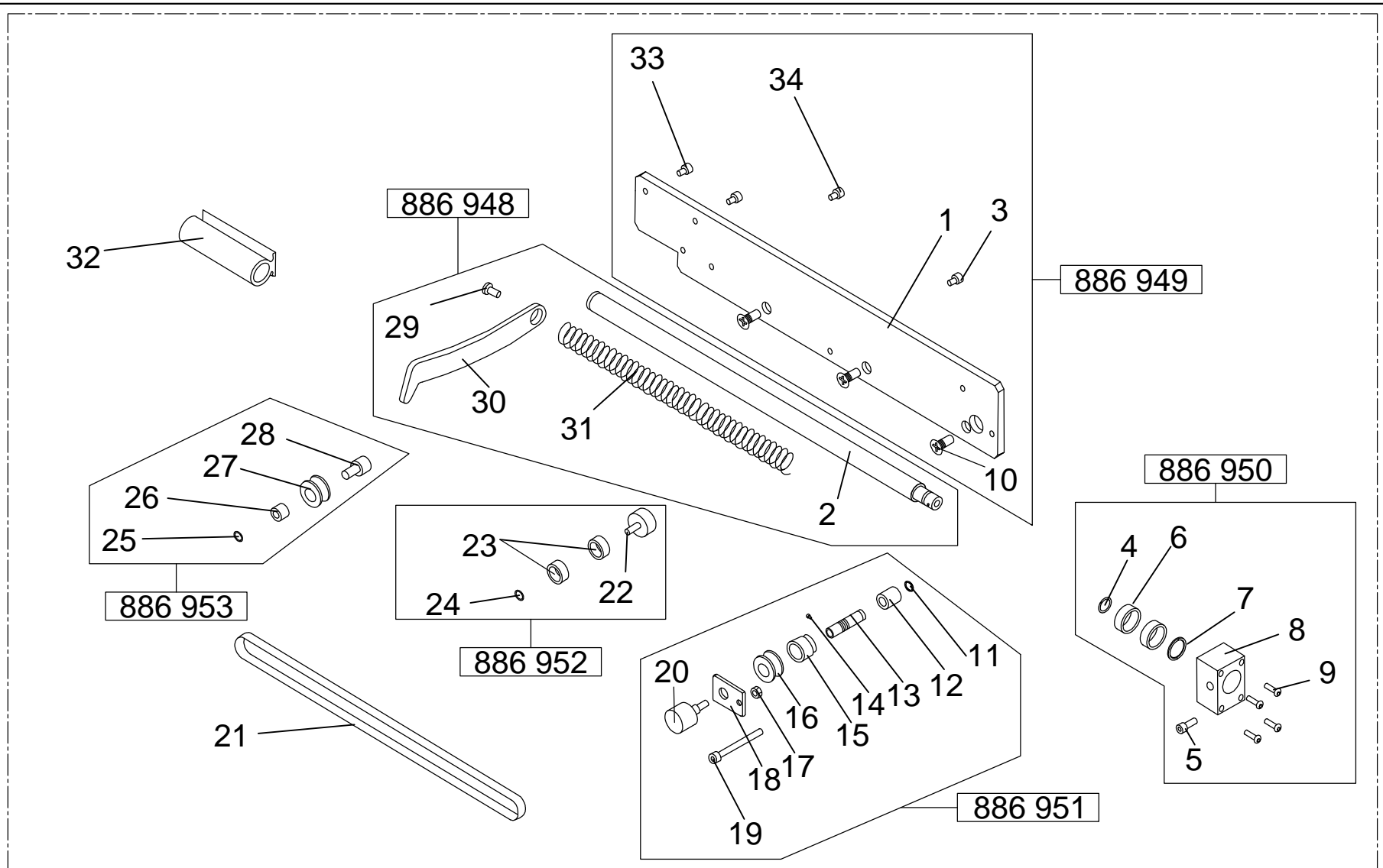


Itemref	Quantity	Title/Name,designation,material,dimension etc			Article No./Reference	
Designed by	Checked by	Approved by-date	File name	Date	Scale	
Pogliani e Rivolta S.p.a.			Areo GEODHeX 988			
			Mandrino	Edition dwg 1	Sheet	



Itemref	Quantity	Title/Name,designation,material,dimension etc			Article No./Reference	
Designed by	Checked by	Approved by-date	File name	Date	Scale	
Pogliani e Rivolta S.p.a.			Areo GEODHeX 988			
			Carrello sollevamento ruota	Edition dwg 2	Sheet	



886 947

Itemref	Quantity	Title/Name, designation, material, dimension etc	Article No./Reference		
Designed by	Checked by	Approved by-date	File name	Date	Scale
Pogliani e Rivolta S.p.a.			Areo GEODHeX 988		
			Calibro	Edition dwg 3	Sheet

## GEODHeX 988

code	description (IT)	description (EN)	dwg nr.	nr. ref.
886 900	CPU pc main board	CPU pc main board	1	29
886 901	complete display pc board	complete display pc board	1	32, 33
886 902	keyboard pc board	keyboard pc board	1	30
886 903	motor board	motor board	1	26
886 904	optic electronic board	optic electronic board	1	31
886 905	display XL pc board	display XL pc board	1	32
886 906	display XL pc board	display XL pc board	1	33
886 907	carcassa completa	metallic structure	1	1, 21, 22
886 908	piastre optoelettronica	fix plates for optic electronic board	1	2, 3
886 909	trasduttore	transducer	1	4, 7
886 910	kit barre filettate per trasduttori	transducers threaded bars	1	5, 6
886 911	mandrino completo	revolving chuck	1	8, 9
886 912	flangia per flangia di bloccaggio	flange	1	11
886 913	pioli per flangia adattamento	pegs	1	12, 14
886 914	flangia di bloccaggio	fixing flange	1	13
886 915	galletto	nut	1	16
886 916	cinghie motore	motor belts	1	16
886 917	puleggia motore	pulley motor	1	17
886 918	motore	motor	1	18
886 919	piastra fissaggio motore	motor fix plate	1	19
886 920	boccola calibro	buckle for dataset arm	1	20
886 921	perno porta utensili	pivot for utensils	1	23
886 922	piastra supporto scheda motore	motor boeard fixing plate	1	25
886 923	portapesi 988	wheels tray 988	1	28
886 924	teleruttore	relay	1	10
886 925	interruttore ON/OFF	ON/OFF interrupter	1	24
886 926	resistenza 10Ω	10W resistor	1	27
886 927	trasformatore	transformer	1	34

886	928	fusibile	fuse	1	35
886	929	ponte	electrical bridge	1	36
886	930	filtro e.m.	emi filter	1	37
886	931	morsettiera 4 pin	4 pins block	1	38
886	932	carrello solleva ruota	wheel lift	2	1
886	933	ruota carrello	small wheel	2	2
886	934	binario carrello	platform	2	22
886	935	piatto solleva carrello	lift dish	2	20
886	936	ruota per piatto	small wheel	2	19
886	937	basamento per carrello	cart base	2	21
886	938	carter componenti pneumatici	carter for pneumatic equipment	2	3
886	939	carter gruppo FR+L	FR+L carter	2	23
886	940	gruppo FR+L	group FR+L	2	17, 24
886	941	kit tubi e raccordi pneumatici	kit pipes and pneumatic links	2	4÷8, 10, 11, 12, 16, 18
886	942	tubo pneumatico in rame	copper tube	2	9
886	943	cilindro pneumatico	pneumatic cilindro	2	13
886	944	raccordi e registri per cilindro	cylinder equipment	2	14, 15
886	945	manometro	manometer	2	25
886	946	perno fissaggio cilindro	cylinder fix pivot	2	26, 27
886	947	calibro completo	complete dataset arm	3	1÷34
886	948	calibro	arm	3	2, 29, 30, 31
886	949	piastra fissaggio calibro	fix plate	3	1, 3, 10, 33, 34
886	950	blocchetto terminale calibro	plastic cube	3	4÷9
886	951	potenziometro completo	complete potentiometer	3	11÷20
886	952	cuscinetti cinghia calibro	bearings	3	22, 23, 24
886	953	puleggia grande cinghia calibro	big pulley	3	25, 26, 27, 28
886	954	potenziometro	potentiometer	3	20, 17
886	955	molla	spring	3	31
886	956	tastatore	arm head	3	29, 30
886	957	asta calibro	gauge	3	2
886	958	cinghia calibro	arm belt	3	21
886	959	binario calibro	arm platform	3	32