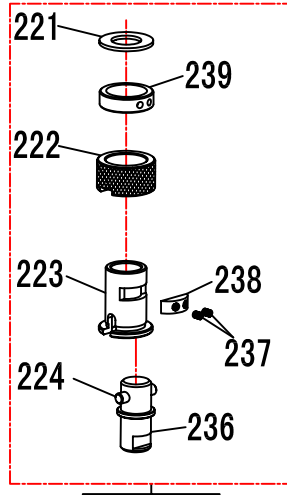
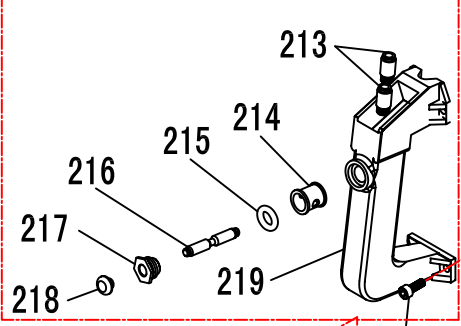
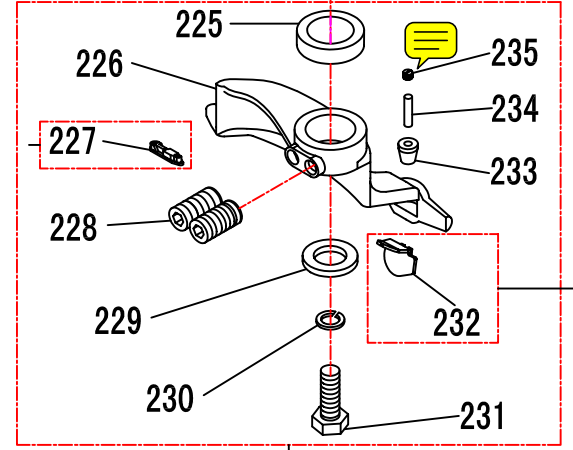
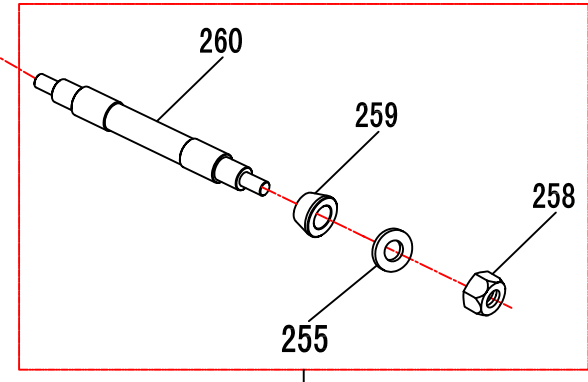
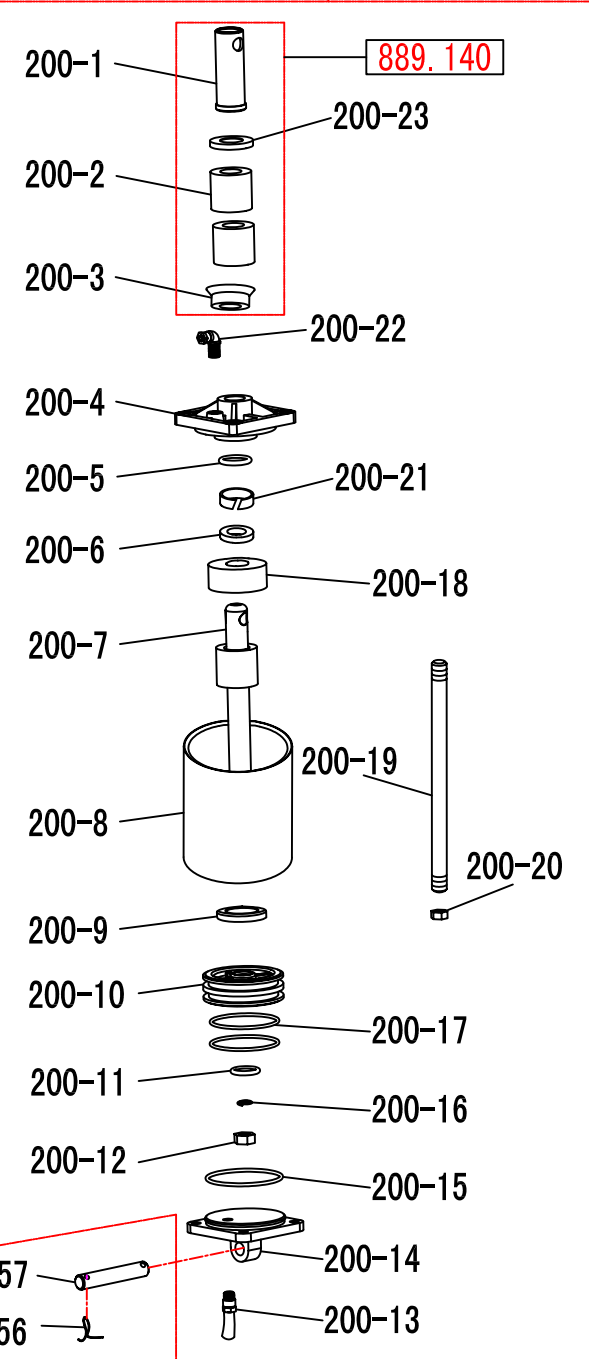
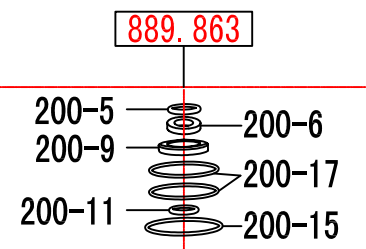
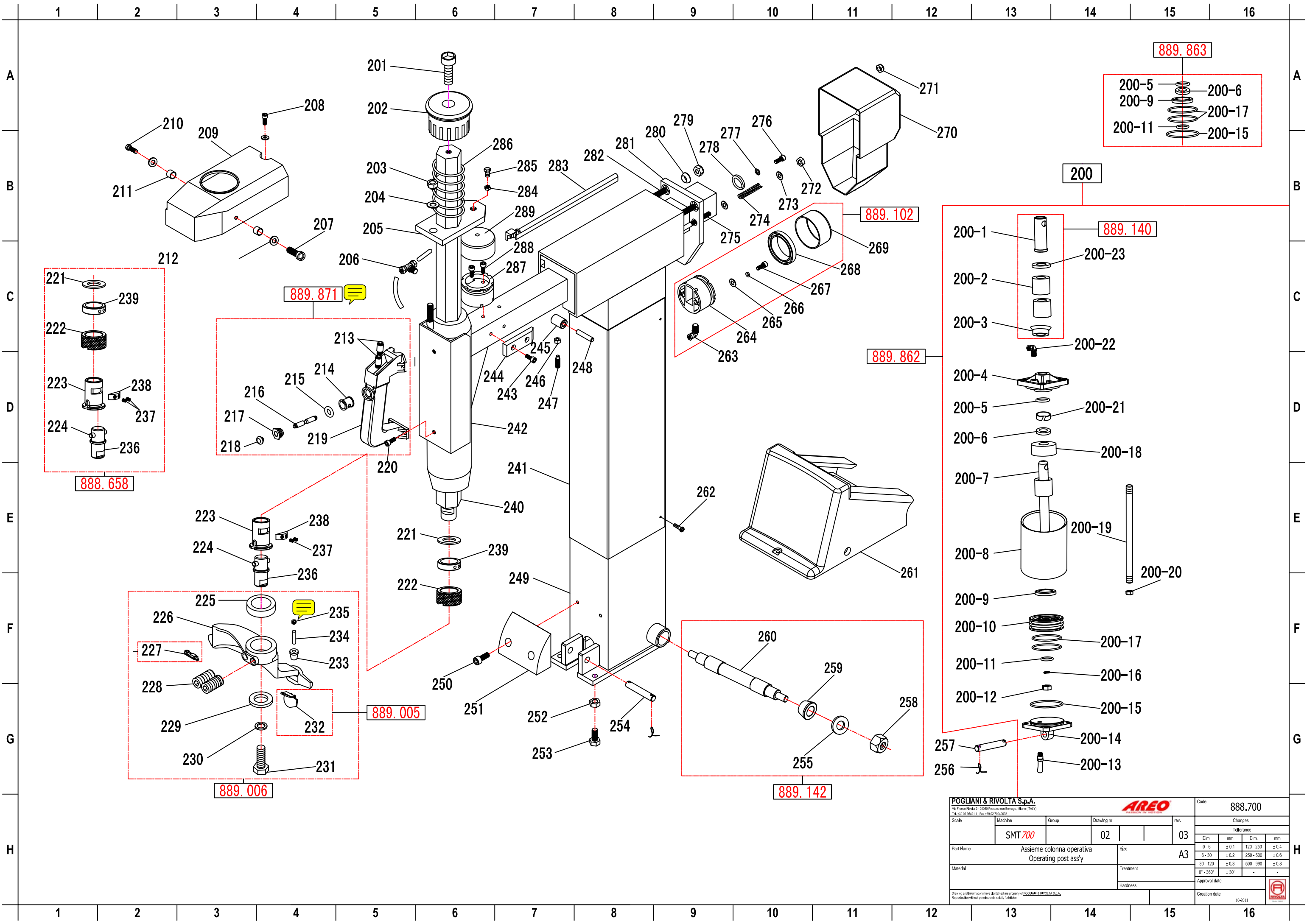
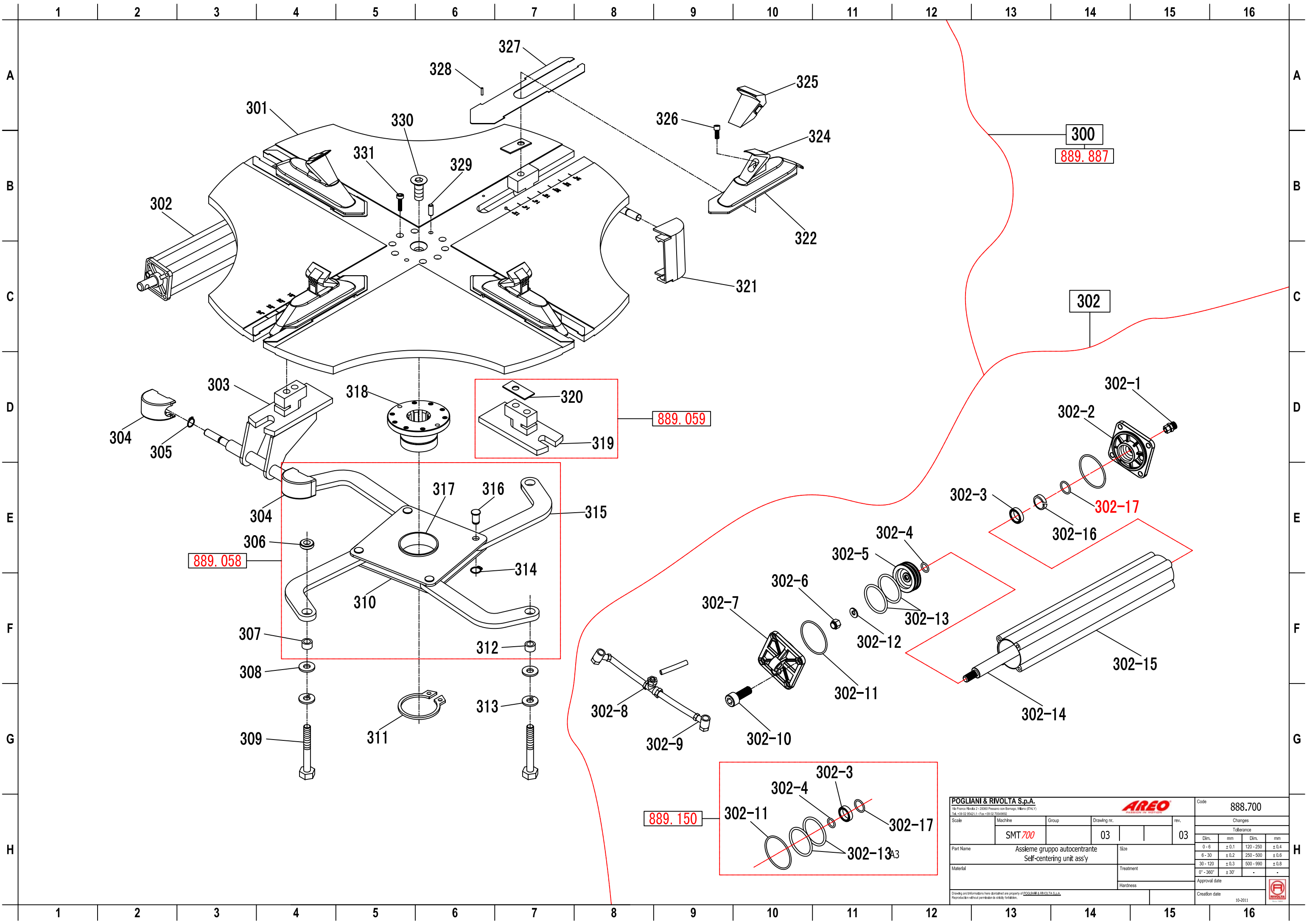


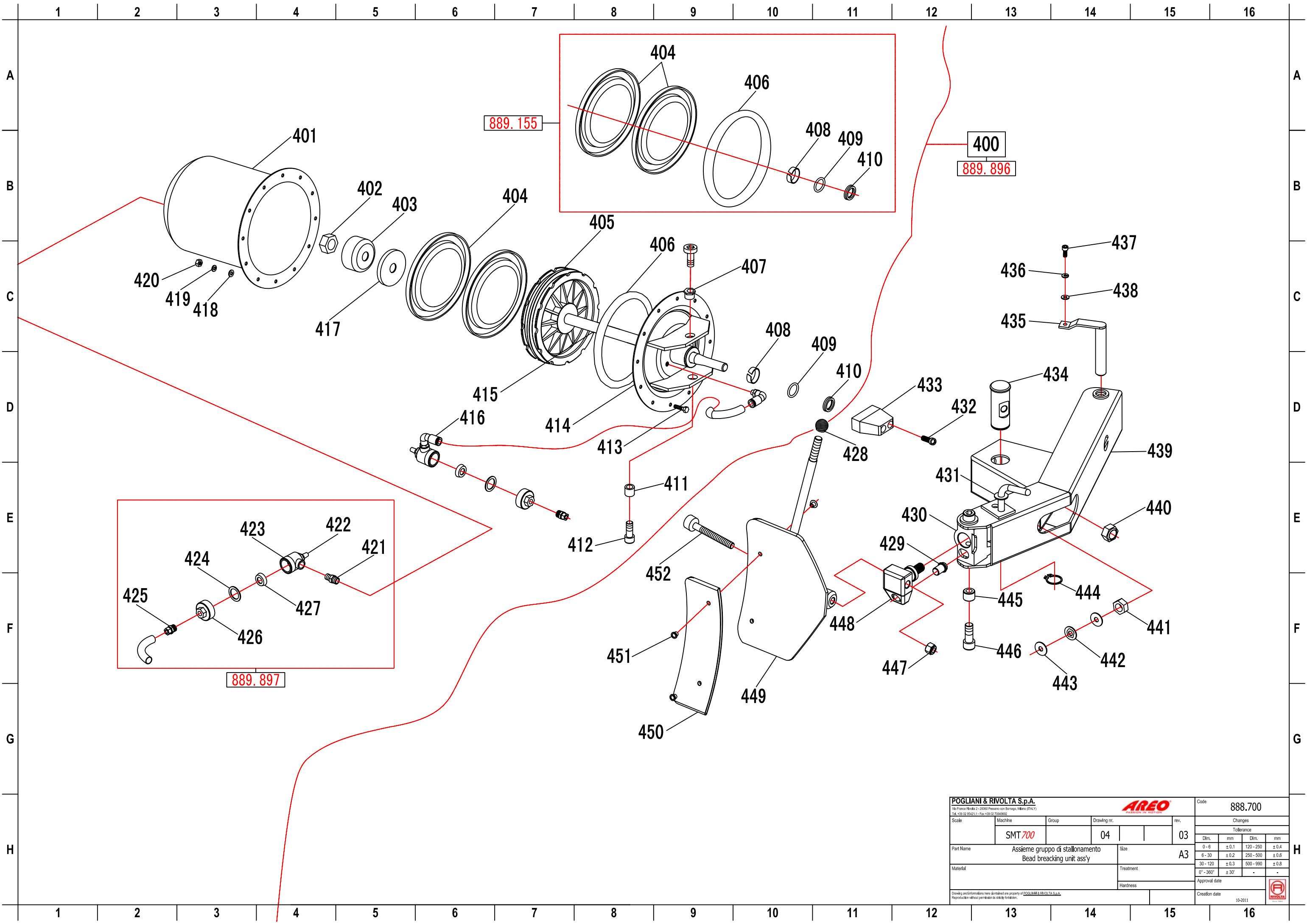
<b>POGLIANI &amp; RIVOLTA S.p.A.</b>				<b>AREO</b>		Code 888.700	
Via Franco Bevilacqua, 2 - 20087 Pessano sul Garda (MI) (Italy)				Tel. +39 02 45421.1 - Fax +39 02 7044992			
Scale	Machine	Group	Drawing nr.	rev.	Changes		
	SMT 700		01	03	Tolerance		
Part Name		Assieme carcassa		Size		A3	
Chassis ass'y							
Material		Treatment		Approval date		Creation date	
		Hardness				10-2011	
Drawing and information here contained are property of POGLIANI & RIVOLTA S.p.A. and are not to be reproduced without permission in any form.							



<b>POGLIANI &amp; RIVOLTA S.p.A.</b> <small>Via Firenze, 20 - 20090 Pessano sul Garda (MI) - Italy          Tel. +39 02 45421.1 - Fax +39 02 7044992</small>				<b>AREO</b>		Code <b>888.700</b>	
Scale	Machine	Group	Drawing nr.	rev.	Changes		
	<b>SMT 700</b>		<b>02</b>	<b>03</b>	Tolerance		
Part Name				Size	mm		
<b>Assemble colonna operativa</b> <b>Operating post ass'y</b>				<b>A3</b>	Dim.	mm	mm
Material				Treatment	0 - 6	± 0.1	120 - 250 ± 0.4
Hardness				Approval date	6 - 30	± 0.2	250 - 500 ± 0.6
Creation date				30 - 120	± 0.3	500 - 990 ± 0.8	
<small>Drawing and information here contained are property of POGLIANI &amp; RIVOLTA S.p.A.          Reproduction without permission is strictly forbidden.</small>							



<b>POGLIANI &amp; RIVOLTA S.p.A.</b>				<b>AREO</b>		Code 888.700	
Via Firenze, 20 - 20090 Pessione (CR) - Bergamo (Italy)							
Tel. +39 02 4521.1 - Fax +39 02 7044992							
Scale	Machine	Group	Drawing nr.	rev.	Changes		
	SMT 700		03	03	Tolerance		
Part Name				Size		Dim.	
Asieme gruppo autocentrante						mm	
Self-centering unit ass'y						mm	
Material				Treatment		Approval date	
				Hardness		Creation date	
Drawing and information here contained are property of POGLIANI & RIVOLTA S.p.A.						10-2011	
Reproduction without permission is strictly forbidden.							

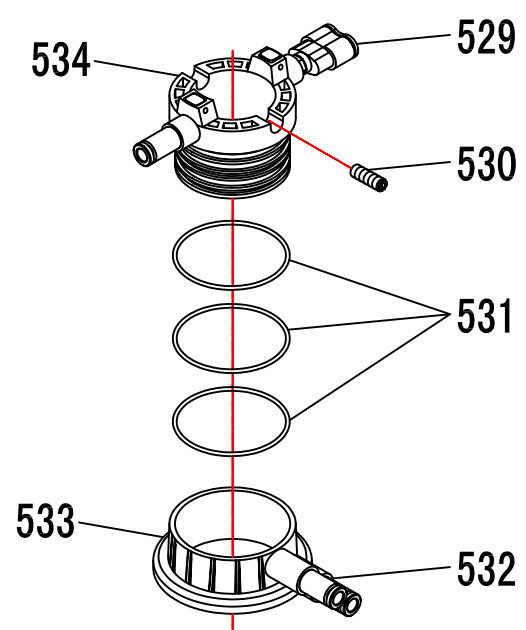


<b>POGLIANI &amp; RIVOLTA S.p.A.</b> <small>Via Firenze, 20 - 20090 Pernice (MI) - Italy Tel. +39 02 8521.1 - Fax +39 02 7049892</small>				<b>AREO</b> <small>PROTEZIONE ELETTRICA</small>		Code <b>888.700</b>		
Scale	Machine	Group	Drawing nr.	rev.	Changes			
	<b>SMT 700</b>		<b>04</b>	<b>03</b>	Tolerance			
Part Name <b>Asieme gruppo di stallamento</b> <b>Bead breaking unit ass'y</b>				Size <b>A3</b>	Dim.	mm	mm	
Material				Treatment	0 - 6	± 0.1	120 - 250	± 0.4
				Hardness	6 - 30	± 0.2	250 - 500	± 0.6
				Approval date	30 - 120	± 0.3	500 - 990	± 0.8
				Creation date	0° - 360°	± 30°	-	-
Drawing and information here denoted are property of POGLIANI & RIVOLTA S.p.A. Reproduction without permission is strictly forbidden.					10-2011			

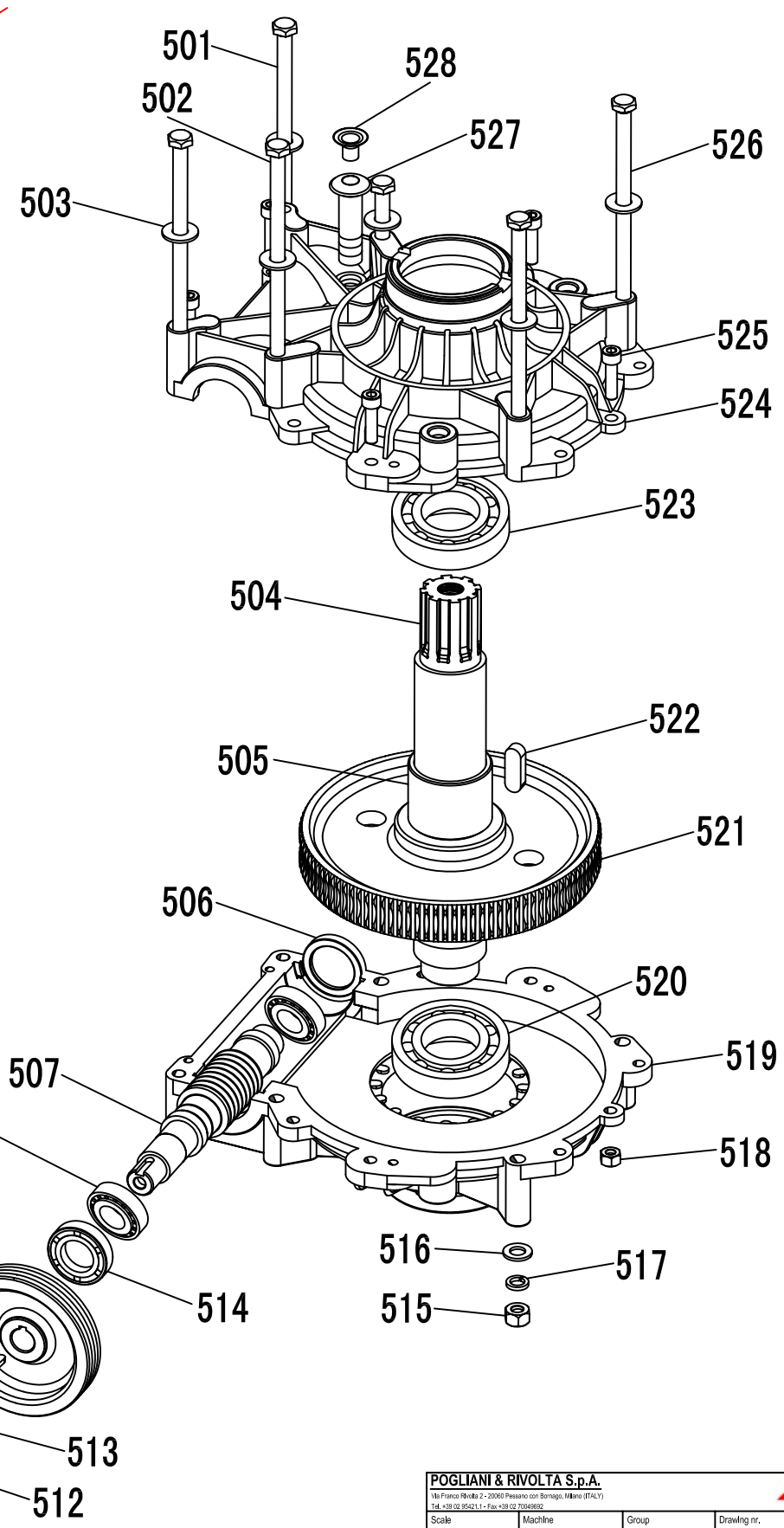
1 2 3 4 5 6 7 8 9 10 11 12 13 14 15 16

A  
B  
C  
D  
E  
F  
G  
H

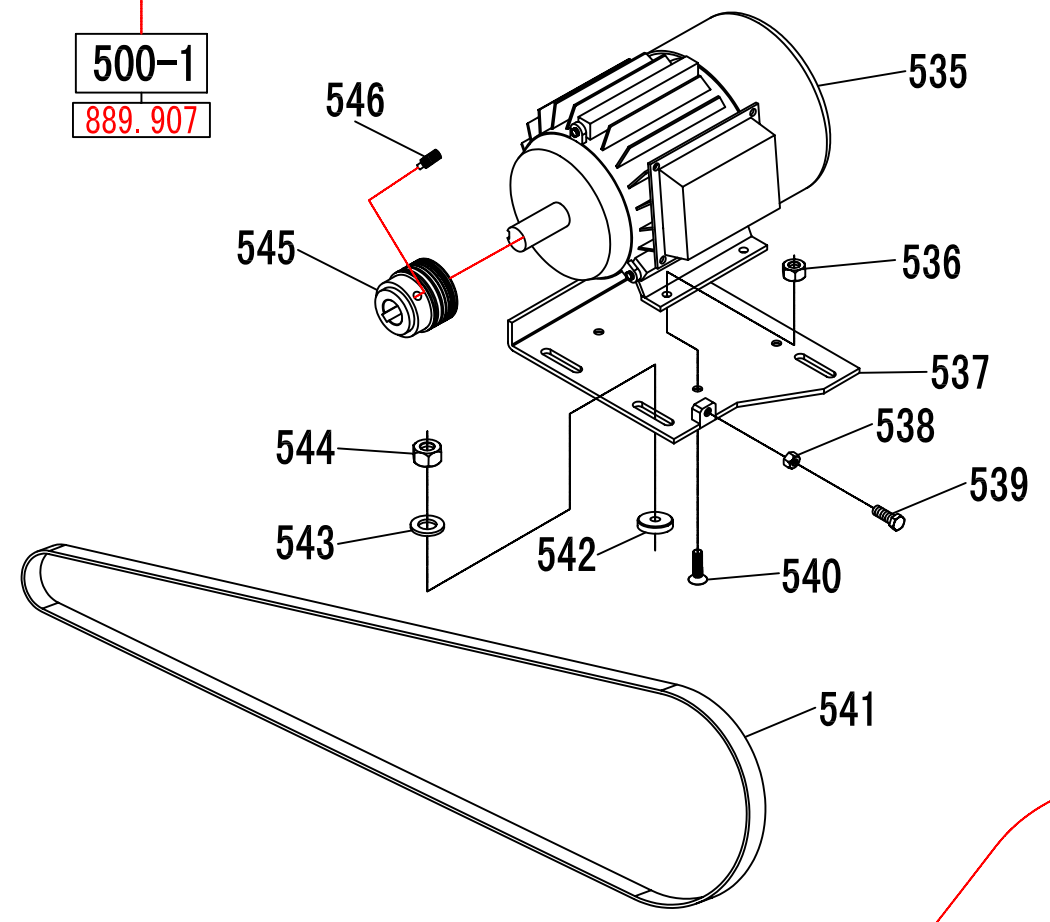
A  
B  
C  
D  
E  
F  
G  
H



500  
889.874

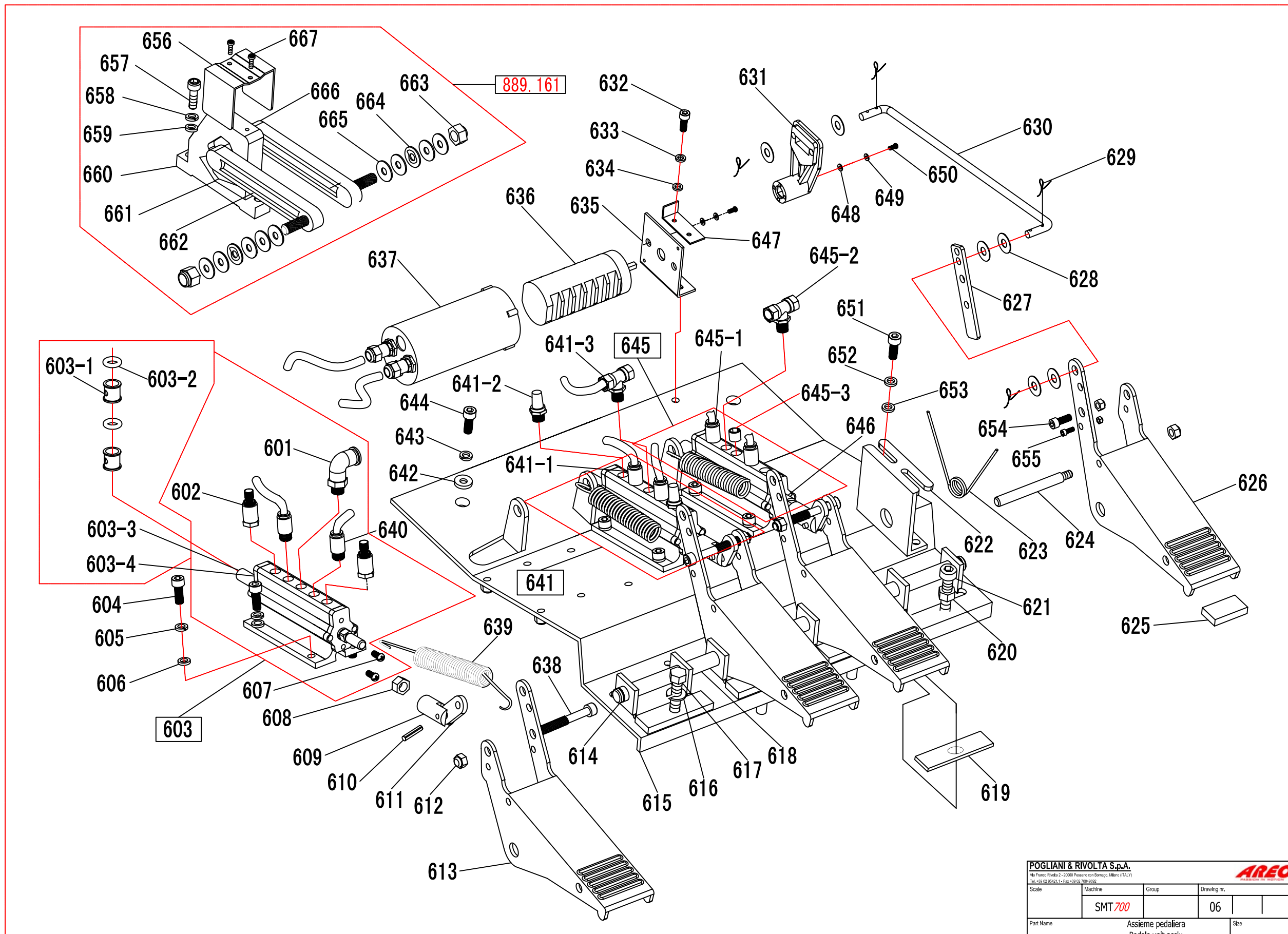


500-1  
889.907

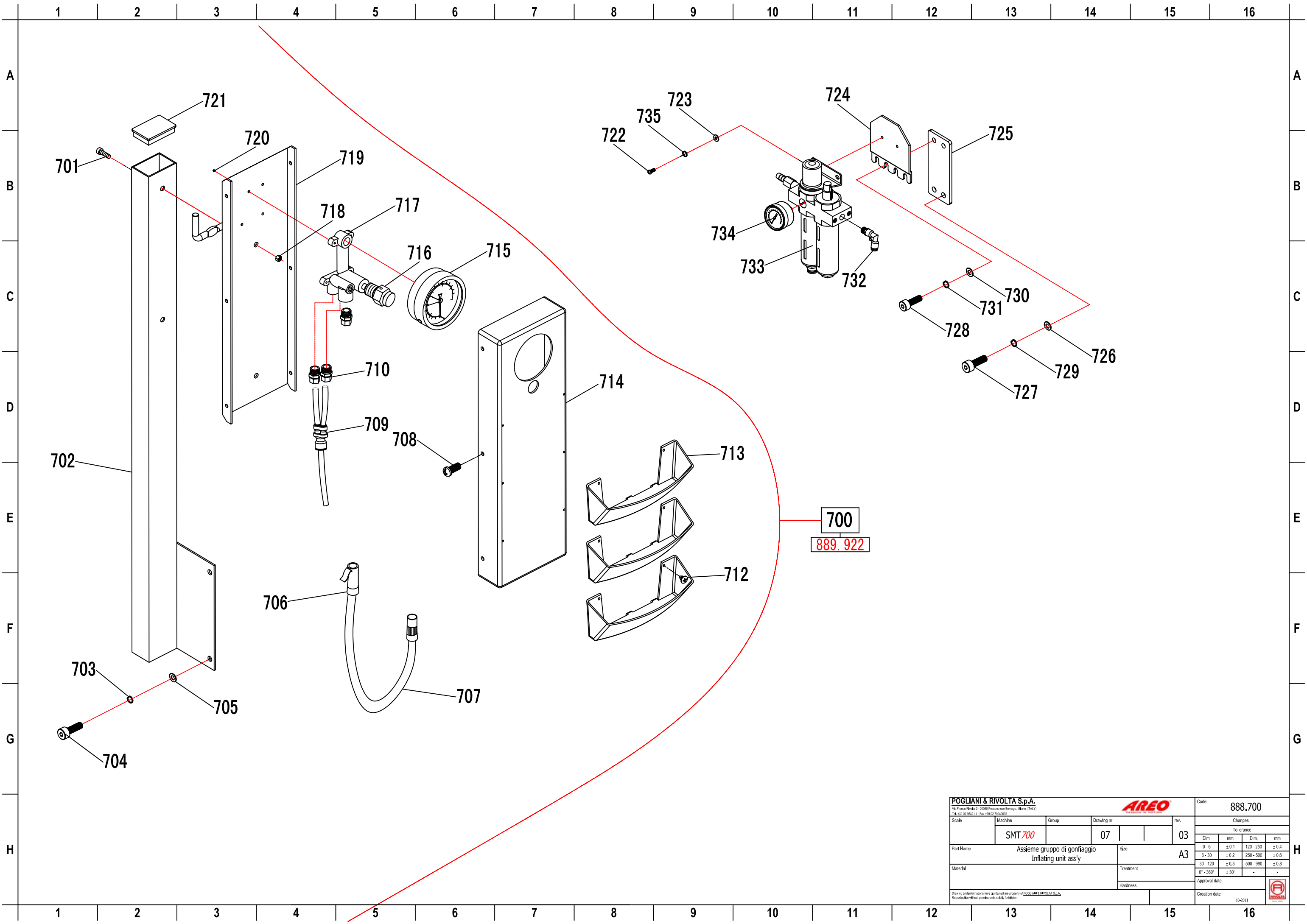


<b>POGLIANI &amp; RIVOLTA S.p.A.</b>				<b>AREO</b>		Code 888.700	
Via Firenze, 20 - 20090 Pessano sul Garda (MI) (Italy)				Tel. +39 02 8521.1 - Fax +39 02 2048692			
Scale	Machine	Group	Drawing nr.	rev.	Changes		
	SMT 700		05	03	Tolerance		
Part Name				Size	Dim.	mm	mm
Assieme gruppo riduttore				A3	0 - 6	± 0.1	120 - 250 ± 0.4
Gearbox unit ass'y					6 - 30	± 0.2	250 - 500 ± 0.6
Material				Treatment	30 - 120	± 0.3	500 - 990 ± 0.8
				Hardness	0° - 360°	± 30°	-
Approval date				Creation date		10-2011	
Drawing and information here contained are property of POGLIANI & RIVOLTA S.p.A. Reproduction without permission is strictly forbidden.							

1 2 3 4 5 6 7 8 9 10 11 12 13 14 15 16

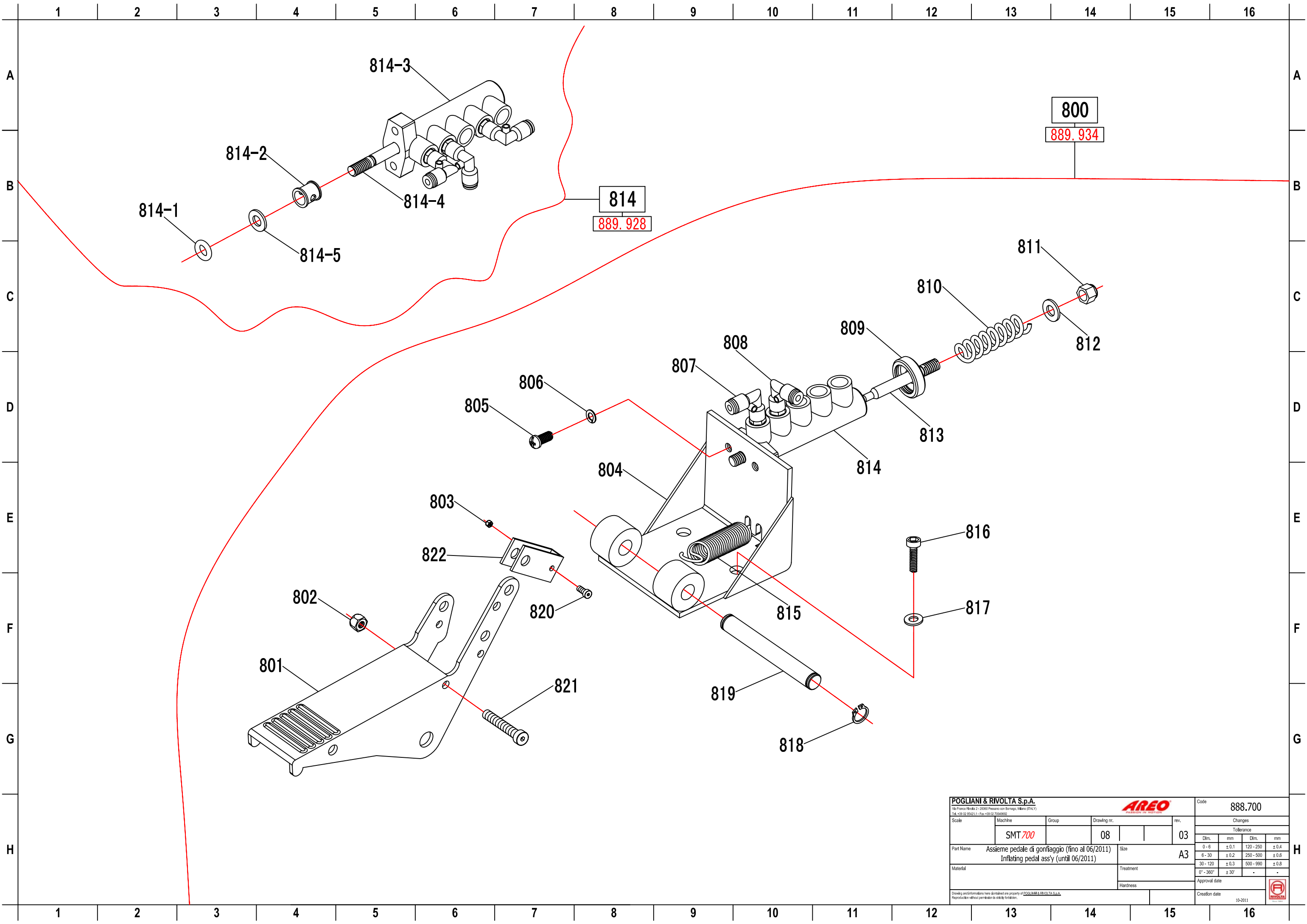


<b>POGLIANI &amp; RIVOLTA S.p.A.</b> <small>Via Firenze, Strada 2 - 20087 Pessano sul Garda (MI) (Italy)          Tel. +39 02 8521.1 - Fax +39 02 7048992</small>				<b>889.027</b> <small>888.700</small>	
Scale	Machine	Group	Drawing nr.	rev.	Changes
	SMT 700		06	03	Tolerance
Part Name				Size	
Asieme pedaliera				A3	
Pedals unit ass'y					
Material				Treatment	
				Hardness	
Approval date				Creation date	
Drawing and information here contained are property of POGLIANI & RIVOLTA S.p.A.				10-2011	
Reproduction without permission is strictly forbidden.					



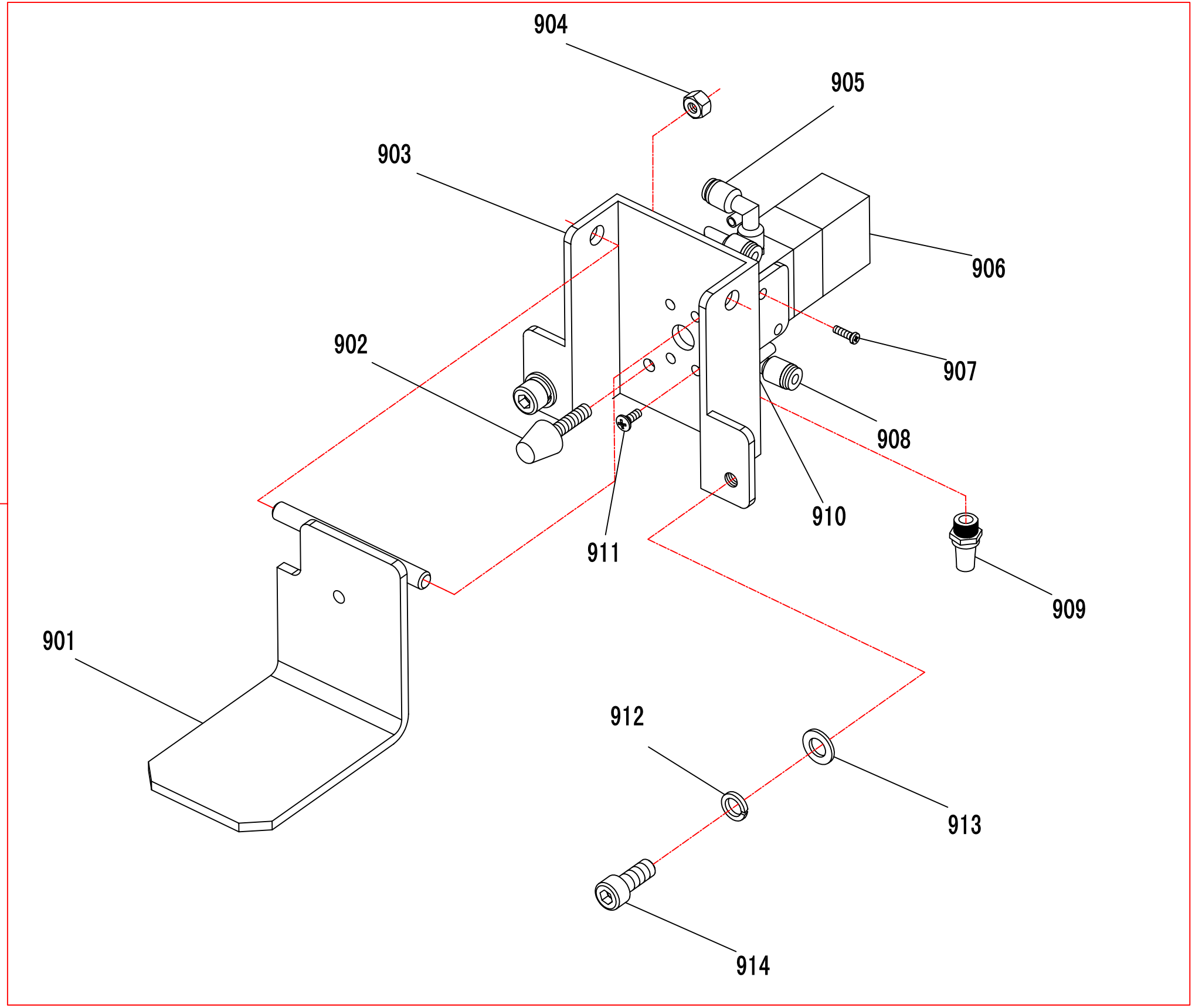
700  
889.922

<b>POGLIANI &amp; RIVOLTA S.p.A.</b> <small>Via Firenze, 20 - 20090 Pessano sul Garda (MI) (Italy)          Tel. +39 02 8521.1 - Fax +39 02 7049892</small>						Code <b>888.700</b>	
Scale	Machine	Group	Drawing nr.	rev.	Changes		
	<b>SMT 700</b>		<b>07</b>	<b>03</b>	Tolerance		
Part Name				Size	Dim.	mm	mm
Assieme gruppo di gonfiaggio				<b>A3</b>	0 - 6	± 0.1	120 - 250 ± 0.4
Inflating unit ass'y					6 - 30	± 0.2	250 - 500 ± 0.6
Material				Treatment	30 - 120	± 0.3	500 - 990 ± 0.8
				Hardness	0° - 360°	± 30°	-
Approval date				Creation date			
<small>Drawing and information here detailed are property of POGLIANI &amp; RIVOLTA S.p.A.          Reproduction without permission is strictly forbidden.</small>						10-2011	



<b>POGLIANI &amp; RIVOLTA S.p.A.</b>				<b>AREO</b>		Code 888.700	
Via Firenze, 20 - 20090 Pessano sul Garda (MI) (Italy)				Tel. +39 02 9521.1 - Fax +39 02 704992			
Scale	Machine	Group	Drawing nr.	rev.	Changes		
	SMT 700		08	03	Tolerance		
Part Name				Size	H		
Asieme pedale di gonfiaggio (fino al 06/2011)				A3			
Inflating pedal ass'y (until 06/2011)							
Material				Treatment	Approval date		
				Hardness	Creation date		
Drawing and information here detailed are property of POGLIANI & RIVOLTA S.p.A.				Reproduction without permission is strictly forbidden.		10-2011	





**900**

<b>POGLIANI &amp; RIVOLTA S.p.A.</b>				<b>AREO</b>		Code <b>888.700</b>			
<small>Via Firenze, 20000 - 20000 Pessione (GR) - 20000 Pessione (GR) (PAC)</small>				<small>Tel. +39 02 9521.1 - Fax +39 02 704992</small>					
Scale	Machline	Group	Drawing nr.	rev.	Changes				
	<b>SMT 700</b>		<b>09</b>	<b>03</b>	Tolerance				
Part Name <b>Assieme pedale di gonfiaggio (da 07/2011)</b>				Size <b>A3</b>		Dim.	mm		
Inflating pedal ass'y (since 07/2011)						0 - 6	± 0.1	120 - 250	± 0.4
						6 - 30	± 0.2	250 - 500	± 0.6
						30 - 120	± 0.3	500 - 900	± 0.8
Material				Treatment		0° - 360°	± 30°	-	-
				Hardness		Approval date			
Drawing and information here contained are property of POGLIANI & RIVOLTA S.p.A.				Reproduction without permission is strictly forbidden.		Creation date			
						10-2011			

## SMONTER 700 - spare parts list

ref. nr.	CODE	dwg n°	Description IT	Description EN
101	888.700	1	carcassa inferiore	bottom tyre changer body
102	889.852	1	dado esagonale	hexagonal nut
103	889.852	1	rondella spaccata	washer
104	889.852	1	rondella	washer
105	889.852	1	vite	screw
106	889.852	1	tasca porta documenti	docs holder
107	889.853	1	tasca porta utensili	tools holder
108	889.853	1	vite	screw
109	889.854	1	fiancata sx	left body inspection panel
110	889.851	1	pannello anteriore sagomato	front plastic panel
111	889.854	1	vite	screw
112	889.854	1	rondella	washer
113	889.855	1	frontale pedaliera	pedal front plate
114	889.783	1	dado alto M8	high nut M8
115	889.783	1	separatore pedali	pedals separator
116	889.855	1	rondella	washer
117	889.855	1	brugola	allen screw
118	889.855	1	rondella spaccata	washer
119	889.851	1	vite	screw
120	889.856	1	rondella	washer
121	889.856	1	vite	screw
122	889.856	1	appoggio stallonatore	bead breaker support
123	889.043	1	spessore appoggio	rubber support
124	889.857	1	vano in plastica	plastic tray
125	889.858	1	molla braccio stallonatore	bead breaker arm spring
126	889.046	1	pressacavo	cable holder
127	889.046	1	pressacavo	cable holder
128	889.046	1	cavo di alimentazione	
129	889.859	1	supporto palo ribaltabile	tilting column support
130	889.859	1	rondella	washer
131	889.859	1	brugola	allen screw
132	889.859	1	rondella spaccata	washer
133	889.86	1	pressacavo tubi aria	pneumatic hoses cable holder
135	889.861	1	pressacavo tubi aria	pneumatic hoses cable holder
137	889.785	1	regolatore di pressione	pressure regulator
138	889.875	1	dado esagonale	hexagonal nut
139	889.875	1	rondella	washer
140	889.875	1	supporto regolatore di pressione	pressure regulator support
142	889.147	1	vite M10x20	screw M10x20
144	889.072	1	coperchio in plastica	plastic cover
145	889.147	1	dado M10	nut M10
146	889.859	1	vite esagonale	hexagonal screw
147	889.859	1	rondella	washer
200	889.862	2	cilindro ribaltabile completo	cylinder for tilting column
200-1	889.14	2	appoggio ammortizzatore	shock absorber suport
200-2	889.14	2	ammortizzatore	shock absorber
200-3	889.14	2	anello appoggio ammortizzatore	shock absorber ring suport
200-4	889.173	2	flangia superiore cilindro	cylinder top flange
200-5	889.863	2	OR	OR
200-6	889.863	2	guarnizione a labbro	lipped gasket

ref. nr.	CODE	dwg n°	Description IT	Description EN
200-7	889.864	2	stelo cilindro	cylinder rod
200-8	889.862	2	camicia cilindro	cylinder casing
200-9	889.863	2	guarnizione a labbro	lipped gasket
200-10	889.864	2	pistone	piston
200-11	889.863	2	OR	OR
200-12	889.862	2	dado autobloccante	nut with polyamide ring
200-13	889.862	2	raccordo dritto 1/8"	straight male adaptor 1/8"
200-14	889.862	2	flangia inferiore cilindro	cylinder bottom flange
200-15	889.863	2	OR	OR
200-16	889.862	2	rondella spaccata	washer
200-17	889.863	2	OR	OR
200-18	889.862	2	ammortizzatore	shock absorber
200-19	889.862	2	tirante	cylinder tie rod
200-20	889.862	2	dado esagonale	hexagonal nut
200-21	889.862	2	guida stelo	rod guide
200-22	889.862	2	raccordo semplice G1/8"	elbow male adaptor G1/8"
200-23	889.14	2	guarnizione a labbro	lipped gasket
201	889.055	2	brugola	allen screw
202	889.055	2	pomolo	knob
203	889.865	2	dado esagonale	hexagonal nut
204	889.865	2	rondella	washer
205	889.118	2	piastra bloccaggio verticale	vertical locking plate
206	889.112	2	raccordo a T	tee connector
207	889.872	2	brugola	allen screw
208	889.872	2	brugola	allen screw
209	889.872	2	coperchio superiore palo	vertical locking cover
210	889.872	2	brugola	allen screw
211	889.872	2	nottolino	pawl
212	889.872	2	rondella	washer
213	889.871	2	attacco rapido	straight male adaptor 1/8"
214	889.871	2	strozzatore pneumatico	air flow regulator
215	889.871	2	OR	OR
216	889.866	2	perno pulsante	push-button pin
217	889.871	2	boccola perno pulsante	bush
218	889.867	2	testina pulsante	push-button plast head
219	889.871	2	maniglia comando	complete control handle
220	889.871	2	brugola	allen screw
221	888 658	2	QUICK DEVICE	QUICK DEVICE
222	888 658	2	QUICK DEVICE	QUICK DEVICE
223	888 658	2	QUICK DEVICE	QUICK DEVICE
224	888 658	2	QUICK DEVICE	QUICK DEVICE
225	889.936	2	ammortizzatore torretta	mounting head shock absorber
226	889.006	2	torretta	mounting head
227	889.073	2	linghetta piatta	plastic protection
228	889.006	2	registro torretta	mounting head register
229	889.006	2	rondella torretta	mounting head washer
230	889.006	2	rondella	washer
231	889.006	2	vite fissaggio torretta	mounting head fixing screw
232	889.005	2	linguetta per torretta	plastic protection
233	889.006	2	rullino conico unghia	claw roller
234	889.006	2	spina elastica rullino unghia	roller spring tension pin
235	889.006	2	ghiera rullino	roller plug
236	888 658	2	QUICK DEVICE	QUICK DEVICE
237	888 658	2	QUICK DEVICE	QUICK DEVICE

ref. nr.	CODE	dwg n°	Description IT	Description EN
238	888.658	2	QUICK DEVICE	QUICK DEVICE
239	888.658	2	QUICK DEVICE	QUICK DEVICE
240	889.935	2	palo esagonale	hexagonal pole
241	889.868	2	pannello adesivi	stick labels plate
242	889.865	2	braccio orizzontale	horizontal arm
243	889.153	2	vite	screw
244	889.153	2	ammortizzatore braccio orizzontale	horizontal arm shock absorber
245	889.869	2	rullino scorrimento	roller
246	889.121	2	dado esagonale	hexagonal nut
247	889.121	2	registro rullino	roller register
248	889.869	2	perno pullino	roller pin
249	889.121	2	palo ribaltabile	tilting column
250	889.870	2	vite	screw
251	889.870	2	protezione palo ribaltabile	tilting column protection
252	889.121	2	dado esagonale	hexagonal nut
253	889.121	2	vite fissaggio colonna	tiltig column screw
254	889.881	2	perno attacco cilindro palo	pin
255	889.142	2	rondella	washer
256	889.881	2	copiglia	split pin
257	889.881	2	perno attacco cilindro palo	pin
258	889.142	2	dado esagonale	hexagonal nut
259	889.142	2	boccola conica	pin bush
260	889.142	2	perno palo ribaltabile	tilting column pin
261	889.882	2	protezione base colonna	plastic protection
262	889.868		vite pannello adesivi	screw
263	889.102	2	raccordo a L	L male adaptor 1/8"
264	889.102	2	pistone con cartuccia	piston
265	889.102	2	rondella	washer
266	889.102	2	OR	OR
267	889.102	2	vite pistone	screw for piston
268	889.102	2	guarnizione a labbro	gasket
269	889.102	2	cilindro	cylinder
270	889.101	2	carter bloccaggio orizzontale	horizontal locking cover
271	889.101	2	dado autobloccante	nut with polyamide ring
272	889.865	2	dado esagonale	hexagonal nut
273	889.865	2	rondella	washer
274	889.883	2	molla di compressione	helical compression spring
275	889.865	2	registro bloccaggio verticale	vertical locking regulator
276	889.884	2	vite	screw
277	889.884	2	rondella	washer
278	889.884	2	fincorsa palo orizzontale	horizontal arm limit
279	889.865	2	dado autobloccante	nut with polyamide ring
280	889.885	2	cono bloccaggio orizzontale	horizontal locking cone
281	889.163	2	piastra bloccaggio orizzontale	horizontal locking plate
282	889.865	2	prigioniero M12x45	medium end stu M12x45
283	889.886	2	guida tubi	hoses guide
284	889.865	2	dado esagonale	hexagonal nut
285	889.865	2	vite	screw
286	889.078	2	molla compressione	helical compression spring
287	889.112	2	pistone	piston
288	889.112	2	vite	screw
289	889.112	2	cilindro	cylinder
300	889.887	3	autocentrante completo	complete turntable
301	889.888	3	piastra autocentrante	turntable

ref. nr.	CODE	dwg n°	Description IT	Description EN
302	889.889	3	cilindro autocentrante	turntable cylinder
302-1	889.889	3	raccordo dritto 1/8"	straight male adaptor G1/8"
302-2	889.173	3	flangia anteriore cilindro	cylinder front flange
302-3	889.150	3	guarnizione di raschiamento	lipped gasket
302-4	889.150	3	OR	OR
302-5	889.89	3	pistone	piston
302-6	889.889	3	dado autobloccante	nut with polyamide ring
302-7	889.889	3	flangia posteriore cilindro	cylinder rear flange
302-8	889.889	3	raccordo a T rapido	tee connector
302-9	889.889	3	raccordo semplice G1/8"	elbow male adaptor G1/8"
302-10	889.889	3	vite flangia	screw for flange
302-11	889.150	3	OR	OR
302-12	889.889	3	rondella spaccata	washer
302-13	889.150	3	OR	OR
302-14	889.89	3	stelo cilindro	cylinder rod
302-15	889.889	3	camicia cilindro	casing cylinder
302-16	889.889	3	guida stelo	rod guide
302-17	889.150	3	OR	OR
303	889.891	3	forcella aggancio cilindri	cylinders fixing fork
304	889.892	3	protezione anteriore cilindro	cylinder front cover
305	889.891	3	seeger	retaining ring
306	889.058	3	distanziale	spacer
307	889.058	3	boccola	bush
308	889.887	3	rondella	washer
309	889.887	3	vite	screw
310	889.058	3	flangia comando	control plate
311	889.894	3	seeger	retaining ring
312	889.058	3	boccola	bush
313	889.887	3	rondella	washer
314	889.058	3	seeger	retaining ring
315	889.058	3	braccio flangia comando	control plate arm
316	889.058	3	perno	pin
317	889.058	3	rondella di rasamento	washer
318	889.894	3	mozzo piastra autocentrante	turntable hub
319	889.059	3	scorrevole inferiore	sliding guide
320	889.059	3	piastrina scorrevole	sliding plate
321	889.893	3	protezione posteriore cilindro	cylinder rear protection cover
322	889.068	3	scorrevole	slide
324	889.067	3	griffa bloccaggio	clamping jaw
325	889.069	3	protezione griffa	plastic protection
326	889.067	3	vite griffa	screw
327	889.895	3	lama copriasola	cover plate
328	889.887	3	spina elastica	spring-type straight pin
329	889.887	3	spina elastica	spring-type straight pin
330	889.887	3	vite	screw
331	889.887	3	brugola	allen screw
400	889.896	4	cilindro stallonatore completo	complete bead breaker cylinder
401	889.896	4	camicia cilindro	casing cylinder
402	889.896	4	dado autobloccante	nut with polyamide ring
403	889.896	4	ammortizzatore cilindro	cylinder shock absorber
404	889.155	4	guarnizioni pistone	gaskets
405	889.066	4	pistone	pisto
406	889.155	4	OR	OR
407	889.896	4	boccola fulcro cilindro stallonatore	bead breaker bush

ref. nr.	CODE	dwg n°	Description IT	Description EN
408	889.155	4	guida stelo	wear ring for rod
409	889.155	4	OR	OR
410	889.155	4	guarnizione a labbro	lipped gasket
411	889.896	4	boccola fulcro cilindro stallonatore	bead breaker bush
412	889.896	4	vite fulcro	screw for hub
413	889.896	4	vite flangia	screw for flange
414	889.896	4	flangia cilindro	cylinder front flange
415	889.066	4	stelo cilindro	cylinder rod
416	889.897	4	raccordo semplice G1/8"	elbow male adaptor G1/8"
417	889.896	4	rondella di rasamento	washer
418	889.896	4	rondella	washer
419	889.896	4	rondella spaccata	washer
420	889.896	4	dado esagonale	hexagonal nut
421	889.897	4	raccordo nipplo G1/4"	nipple 1/4"
422	889.897	4	filtro silenziatore	filter
423	889.897	4	valvola G1/4"	valve G1/4"
424	889.897	4	rondella	washer
425	889.897	4	raccordo nipplo G1/4"	nipple 1/4"
426	889.897	4	ghiera valvola	valve rear ring
427	889.897	4	guarnizione a pressione	gaskets
428	889.898	4	impugnatura a sfera	plastic ball knob
429	889.899	4	trascinatore	spellbinder pin
430	889.900	4	attacco paletta	blade support
431	889.901	4	perno bloccaggio rotazione	rotation locking pin
432	889.902	4	vite tampone	screw
433	889.902	4	tampone fine corsa stallonatore	bead breaker fulcrum pin
434	889.903	4	perno orientabile	swining pin
435	889.904	4	perno fulcro braccio stallonatore	bead breaker fulcrum pin
436	889.904	4	rondella spaccata	washer
437	889.904	4	vite fulcro	screw for fulcrum
438	889.904	4	rondella	washer
439	889.905	4	braccio stallonatore	bead breaker arm
440	889.896	4	dado autobloccante cilindro	cylinder nut with polyamide ring
441	889.899	4	dado esagonale	hexagonal nut
442	889.899	4	distanziale mozzo	hub spacer
443	889.899	4	rondella	washer
444	889.901	4	seeger	retaining ring
445	889.900	4	distanziale mozzo	bush
446	889.900	4	vite attacco paletta	screw for blade support
447	889.906	4	dado esagonale	hexagonal nut
448	889.899	4	snodo a croce	blade hub
449	889.906	4	paletta stallonatrice	bead breaker blade
450	889.01	4	protezione paletta	blade protection
451	889.01	4	vite fissaggio protezione	screw
452	889.906	4	vite fissaggio paletta	blade supporting screw
500	889.874	5	riduttore completo	complete gearbox
500-1	889.907	5	raccordo girevole completo	complete rotating union
501	889.874	5	vite scatola riduttore	gearbox screw
502	889.874	5	vite scatola riduttore	gearbox screw
503	889.874	5	rondella	washer
504	889.876	5	albero riduttore	gearbox shaft
505	889.877	5	boccola albero riduttore	shaft bush
506	889.077	5	tappo riduttore	gearbox cap
507	889.166	5	vite senza fine	worm

ref. nr.	CODE	dwg n°	Description IT	Description EN
508	889.167	5	cuscinetto a rulli	bearing
509	889.169	5	puleggia condotta	pulley
510	889.166	5	linguetta	parallel key
511	889.874	5	rondella spaccata	washer
512	889.874	5	vite	screw for rotating union
513	889.874	5	rondella di rasamento	washer
514	889.077	5	tappo riduttore	gearbox cap
515	889.874	5	dado esagonale	hexagonal nut
516	889.874	5	rondella	washer
517	889.874	5	rondella spaccata	washer
518	889.874	5	dado esagonale	hexagonal nut
519	889.874	5	scatola riduttore	gearbox
520	889.17	5	cuscinetto albero	shaft bearing
521	889.171	5	ruota dentata	gear
522	889.876	5	linguetta albero	shaft parallel key
523	889.17	5	cuscinetto albero	shaft bearing
524	889.874	5	scatola riduttore	gearbox
525	889.874	5	brugola scatola riduttore	allen screw
526	889.874	5	vite scatola riduttore	gearbox screw
527	889.874	5	stiletto olio	oil stiletto
528	889.874	5	tappo olio	oil plug
529	889.907	5	raccordo a Y 1/8"	Y male adaptor G1/8"
530	889.907	5	vite traino raccordo girevole	screw for rotating union
531	889.908	5	OR	OR
532	889.907	5	attacco dritto 1/8"	straight male adaptor 1/8"
533	889.907	5	raccordo girevole	rotating union
534	889.907	5	raccordo girevole	rotating union
535	889.125	5	motore 400V 2 velocità	400V 2 speeds motor
535	889.126	5	motore 220V 2 velocità	220V 2 speeds motor
536	889.125	5	dado esagonale	hexagonal nut
537	889.909	5	base motore	motor support
538	889.909	5	dado esagonale	hexagonal nut
539	889.909	5	vite supporto motore	screw
540	889.125	5	vite motore	screw
541	889.910	5	cinghia motore	motor belt
542	889.125	5	ammortizzatore	shock absorber
543	889.125	5	rondella	washer
544	889.125	5	dado autobloccante	nut with polyamide ring
545	889.122	5	puleggia motrice	motor pulley
546	889.122	5	vite puleggia	pulley socket screw
601	889.13	6	raccordo semplice G1/8"	elbow male adaptor G1/8"
602	889.13	6	strozzatore	narrowing piece
603	889.13	6	valvola colonna ribaltabile	tilting column valve
603-1	889.873	6	strozzatore pneumatico	pneumatic air register
603-2	889.873	6	OR	OR
603-3	889.13	6	stelo valvola	valve rod
603-4	889.13	6	flangia valvola	valve flange
604	889.037	6	vite fissaggio valvola	screw
605	889.037	6	rondella spaccata	washer
606	889.037	6	rondella spaccata	washer
607	889.037	6	vite flangia valvola	screw
608	889.037	6	dado esagonale	hexagonal nut
609	889.123	6	giunto valvola	joint
610	889.123	6	spina elastica	elastic blug

ref. nr.	CODE	dwg n°	Description IT	Description EN
611	889.123	6	biella	piston rod
612	889.037	6	dado autobloccante	nut with polyamide ring
613	889.124	6	pedale ribaltamento colonna	tilting column pedal
614	889.037	6	perno pedale	pedal pin
615	889.037	6	telaio pedaliera	pedals base
616	889.037	6	rondella spaccata	washer
617	889.037	6	vite fine corsa pedale	screw
618	889.037	6	perno pedaliera	pedal pin
619	889.136	6	protezione in plastica	plastic protection
620	889.037	6	dado esagonale	hexagonal nut
621	889.037	6	brugola	allen screw
622	889.137	6	supporto pedale invertitore	inverter pedal suport
623	889.131	6	molla pedale autocentrante	turntable pedal spring
624	889.138	6	perno per molla	spring pin
625	889.105	6	protezione pedale	pedal protection
626	889.105	6	pedale	pedal
627	889.135	6	rinvio per biella	piston rod lever
628	889.135	6	rondella	washer
629	889.135	6	copiglia	split pin
630	889.135	6	biella invertitore	inverter piston rod
631	889.041	6	leva invertitore	inverter lever
632	889.156	6	brugola	allen screw
633	889.156	6	rondella	washer
634	889.156	6	rondella	washer
635	889.156	6	supporto invertitore	inverter support
636	889.149	6	invertitore	inverter
637	889.157	6	involucro invertitore	inverter protection
638	889.037	6	perno pedale	pedal pin
639	889.106	6	molla pedale ribaltamento colonna	tilting column pedal spring
640	889.130	6	raccordo dritto 1/8"	straight male adaptor 1/8"
641	889.132	6	valvola pedale autocentrante	turntable pedal valve
641-1	889.132	6	corpo valvola	valve body
641-2	889.132	6	filtro silenziatore	noise filter
641-3	889.132	6	raccordo a T rapido	tee connector
642	889.037	6	rondella	washer
643	889.037	6	rondella spaccata	washer
644	889.037	6	brugola fissaggio pedaliera	pedal fixing screw
645	889.158	6	valvola pedale stallonatore	bead breaker pedal valve
645-1	889.158	6	raccordo dritto 1/8"	straight male adaptor 1/8"
645-2	889.158	6	raccordo a T rapido	tee connector
645-3	889.158	6	boccola per raccordo	bush
646	889.158	6	corpo valvola	valve body
647	889.156	6	piastrina fissaggio	fixing plate
648	889.029	6	rondella	washer
649	889.029	6	rondella	washer
650	889.029	6	vite fissaggio leva invertitore	inverter lever fixing screw
651	889.137	6	brugola	allen screw
652	889.137	6	rondella	washer
653	889.137	6	rondella	washer
654	889.105	6	brugola fissaggio pedale	allen screw
655	889.105	6	vite	screw
656	889.159	6	cavallotto guida biella	connecting rod guide bracket
657	889.161	6	brugola fissaggio camma	trip cam fixing screw
658	889.161	6	rondella	washer



ref. nr.	CODE	dwg n°	Description IT	Description EN
659	889.161	6	rondella	washer
660	889.161	6	camma doppia	trip cam
661	889.160	6	balestra a forcella	fork leaf spring
662	889.039	6	biella camma	cam connecting rod
663	889.161	6	dado autobloccante	nut with polyamide ring
664	889.161	6	rosetta elastica	undulated spring washer
665	889.161	6	rondella	washer
666	889.039	6	biella camma	cam connecting rod
667	889.159	6	vite fissaggio cavallotto	screw
700	889.922	7	gruppo gonfiaggio completo	complete air outlet unit
701	889.922	7	vite	screw
702	889.922	7	palo supporto	device support
703	889.922	7	rondella spaccata	washer
704	889.922	7	brugola fissaggio palo	allen screw
705	889.922	7	rondella	washer
706	889.074	7	molletta gonfiaggio	inflation clip
707	889.074	7	tubo gonfiaggio	air outlet hose
708	889.923	7	vite coperchio	screw
709	889.636	7	raccordo a Y 1/8"	Y male adaptor G1/8"
710	889.636	7	raccordo dritto 1/8"	straight male adaptor G1/8"
712	889.853	7	vite cassetto	storage screw
713	889.853	7	cassetto porta oggetti	tool storage
714	889.923	7	base porta oggetti	box base
715	889.696	7	manometro	manometer
716	889.924	7	pulsante sfiato manometro	push-button
717	889.697	7	ripartitore	manifold
718	889.922	7	dado esagonale	hexagonal nut
719	889.925	7	supporto	support
720	889.697	7	vite ripartitore	manifold screw
721	889.926	7	tappo a lamelle	terminal
722	889.927	7	vite fissaggio gruppo FRL	FRL fixing screw
723	889.927	7	rondella	washer
724	889.927	7	supporto superiore FRL	top support plate
725	889.927	7	supporto inferiore FRL	bottom support plate
726	889.927	7	rondella	washer
727	889.927	7	brugola	allen screw
728	889.927	7	brugola	allen screw
729	889.927	7	rondella spaccata	washer
730	889.927	7	rondella	washer
731	889.927	7	rondella spaccata	washer
732	889.033	7	raccordo a L girevole 1/4"	orienting elbox fitting 1/4"
733	889.033	7	gruppo filtro lubrificatore	FRL unit
734	889.033	7	manometro gruppo FRL	FRL manometer
735	889.927	7	rondella spaccata	washer
800	889.934	8	pedale gonfiaggio completo	complete air outlet pedal unit
801	889.124	8	pedale di gonfiaggio	pedal
802	889.934	8	dado autobloccante	nut with polyamide ring
803	889.932	8	dado esagonale	hexagonal screw
804	889.933	8	supporto pedale	pedal support
805	889.934	8	vite fissaggio valvola	valve fixing screw
806	889.934	8	rondella	washer
807	889.928	8	raccordo a L girevole 1/4"	orienting elbox fitting 1/4"
808	889.928	8	raccordo a L girevole 1/4"	orienting elbox fitting 1/4"
809	889.934	8	finecorsa stelo valvola	valve rod limit

ref. nr.	CODE	dwg n°	Description IT	Description EN
810	889.929	8	molla valvola	valve spring
811	889.934	8	dado autobloccante	nut with polyamide ring
812	889.934	8	rondella	washer
813	889.928	8	stelo valvola	valve rod
814	889.928	8	valvola gonfiaggio	air outlet valve
814-1	889.076	8	OR	OR
814-2	889.076	8	strozzatore pneumatico	air flow regulator
814-3	889.928	8	corpo valvola	valve body
814-4	889.928	8	stelo valvola	valve rod
814-5	889.076	8	rondella	washer
815	889.930	8	molla pedale gonfiaggio	air outlet pedal spring
816	889.934	8	brugola fissaggio supporto	allen screw
817	889.934	8	rondella	washer
818	889.931	8	seeger	elastic ring
819	889.931	8	perno pedale	pedal pin
820	889.932	8	brugola	allen screw
821	889.934	8	brugola pedale	pedal alley screw
822	889.932	8	biella azionamento valvola	valve piston rod
900	889.937	9	pedale di gonfiaggio completo	inflation pedal ass'y
901	889.878	9	pedale gonfiaggio	inflation pedal
902	889.938	9	albero valvola pneumatica	valve shaft
903	889.876	9	staffa fissaggio pedale	inflation pedal supporting plate
904		9		
905	889.938	9	raccordo pneumatico $\Phi 8$	$\Phi 8$ 90-deg pneumatic fitting
906	889.938	9	valvola pedale gonfiaggio	inflation pedal valve
907		9		
908	889.938	9	raccordo pneumatico dritto $\Phi 8$	$\Phi 8$ straight pneumatic fitting
909	889.938	9	filtro valvola	valve filter
910	889.880	9	staffa fissaggio valvola	valve supporting plate
911		9	vite	screw
912		9	rondella elastica	spring washer
913		9	rondella piatta	flat washer
914		9	vite	screw