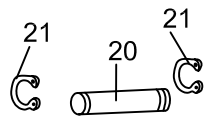
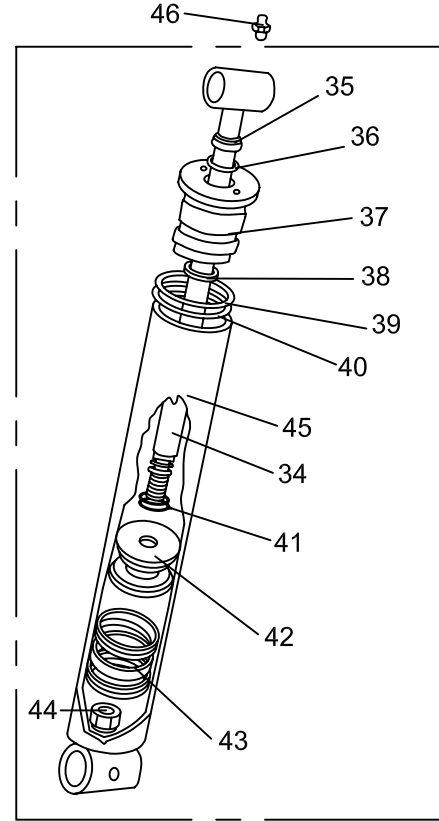
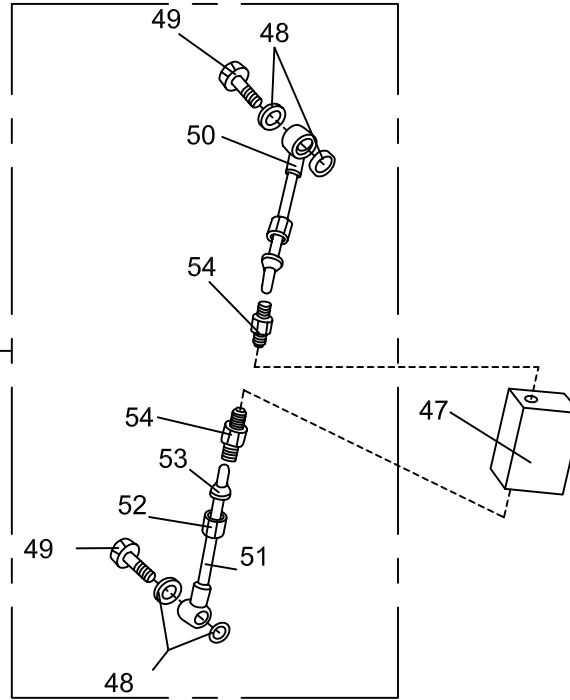


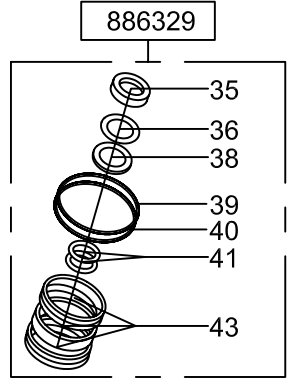
Itemref	Quantity	Title/Name, designation, material, dimension etc			Article No./Reference	
Designed by		Checked by	Approved by-date	File name	Date	Scale
Pogliani e Rivolta s.p.a.				TiREX260		
				Basamento di appoggio		Edition dwg n° 1



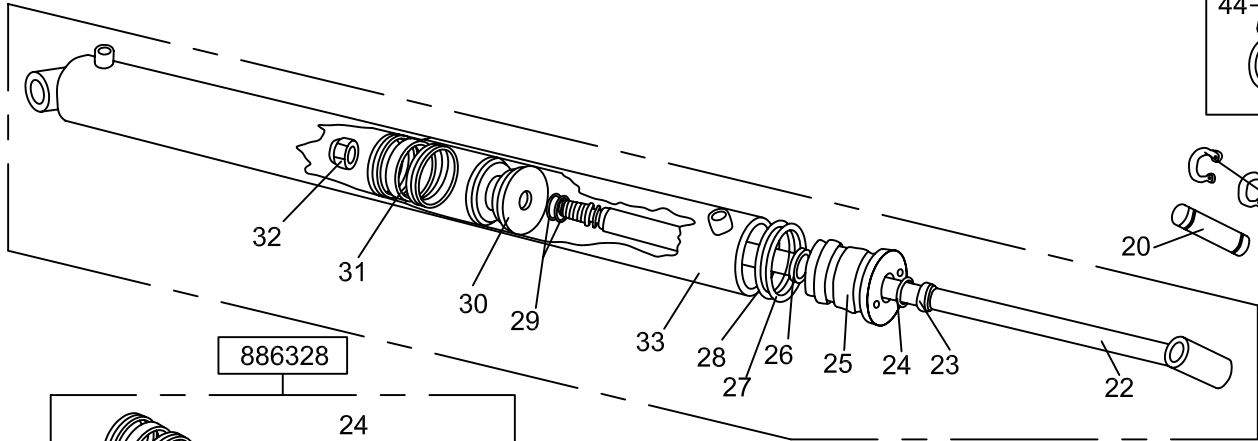
886326



886303

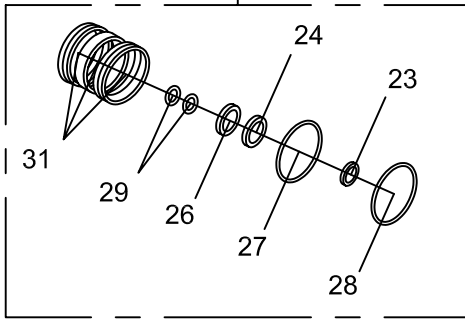


886329

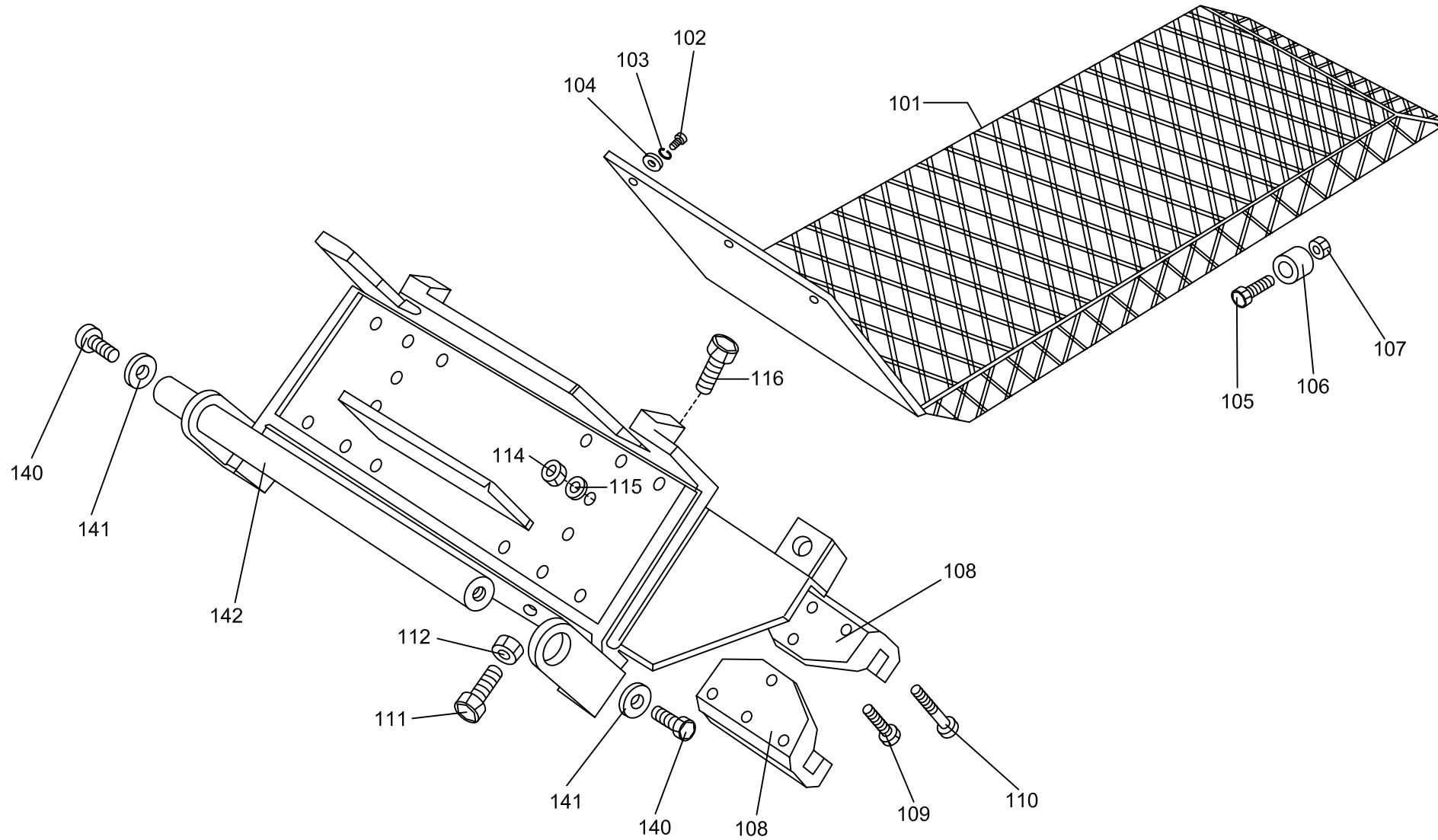


886328

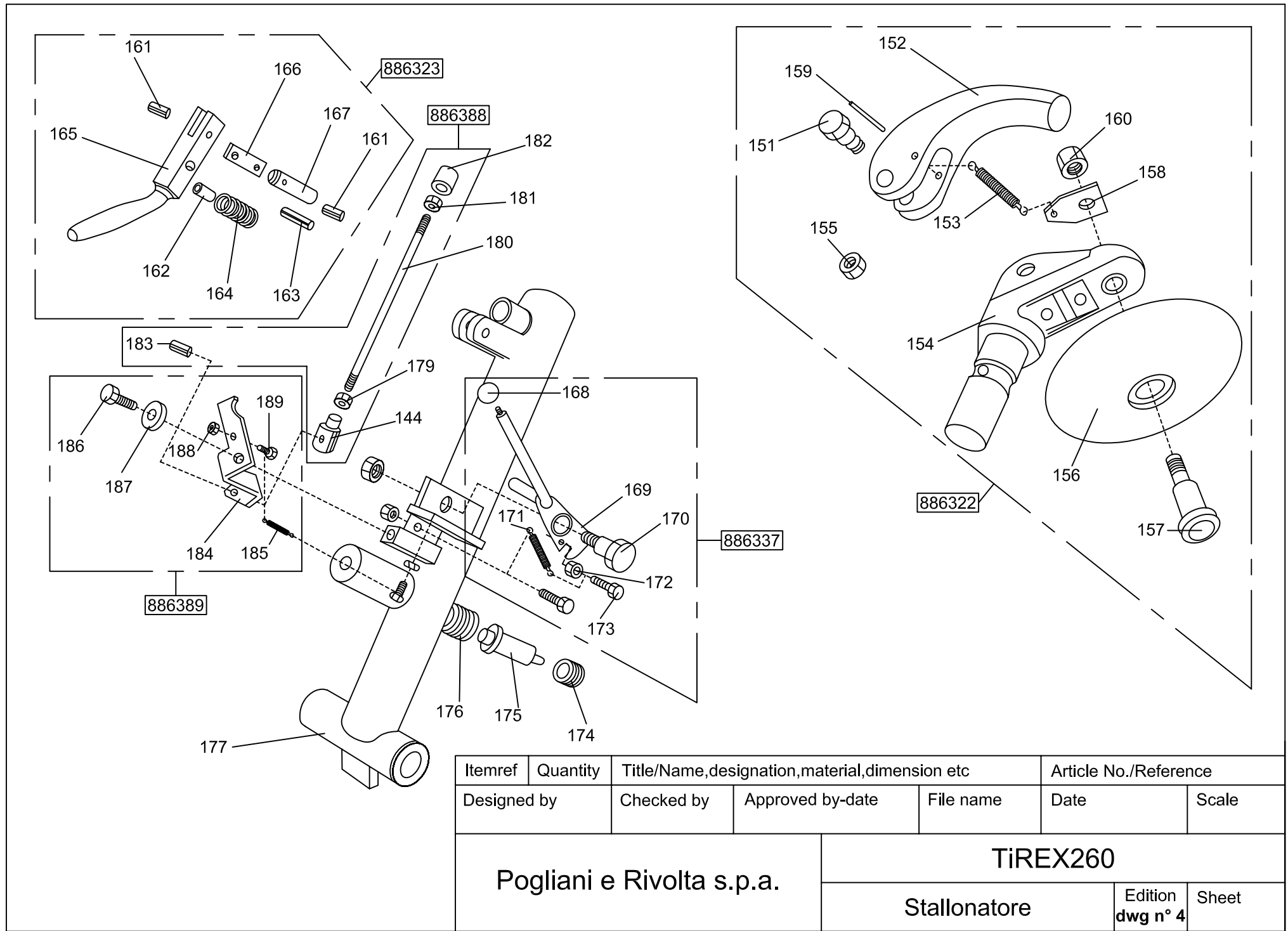
886304



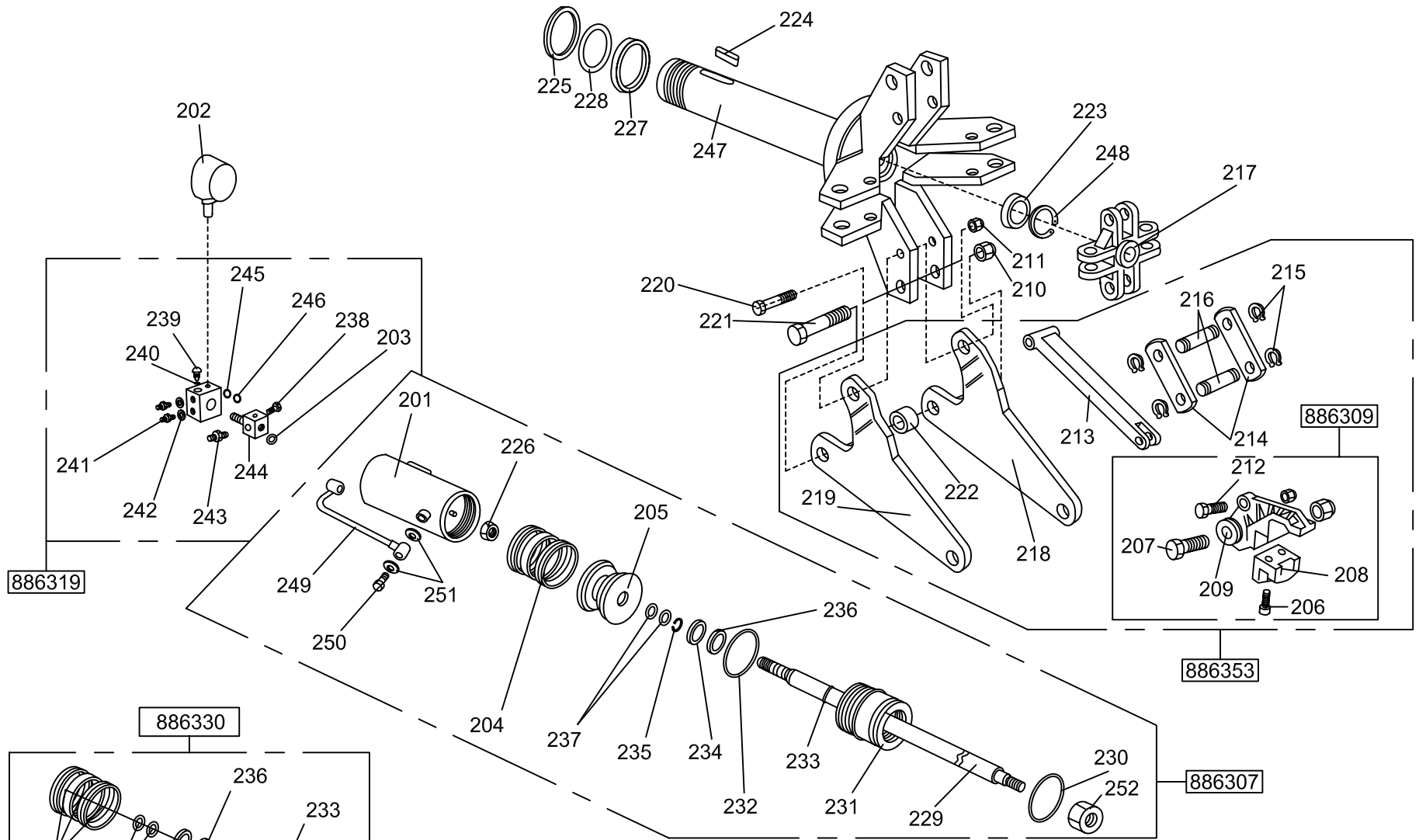
Itemref	Quantity	Title/Name, designation, material, dimension etc			Article No./Reference	
Designed by		Checked by	Approved by-date	File name	Date	Scale
Pogliani e Rivolta s.p.a.				TiREX260		
				Pistoni		Edition dwg n° 2



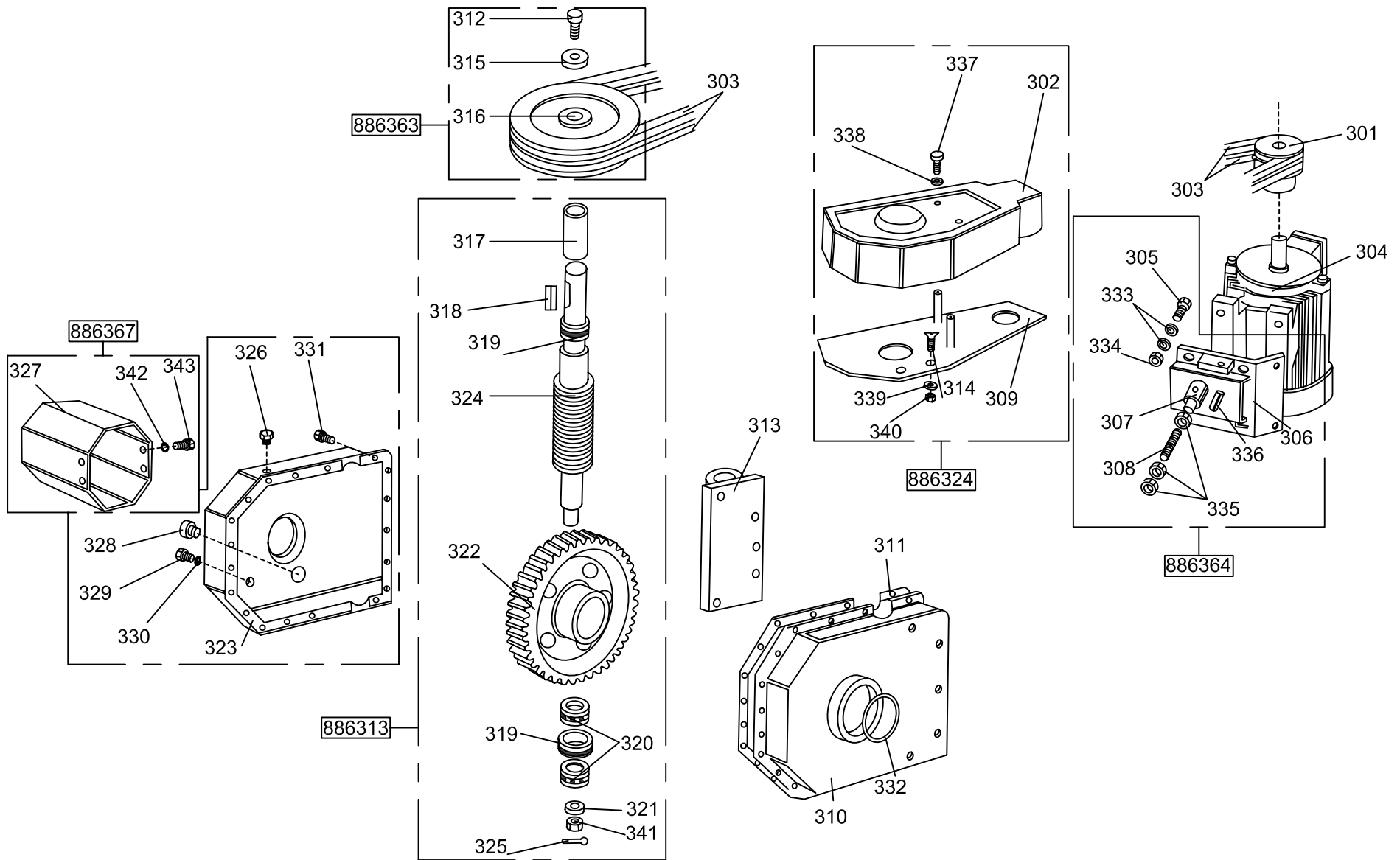
Itemref	Quantity	Title/Name, designation, material, dimension etc			Article No./Reference	
Designed by		Checked by	Approved by-date	File name	Date	Scale
Pogliani e Rivolta s.p.a.				TiREX260		
				Pedana mobile		Edition dwg n° 3



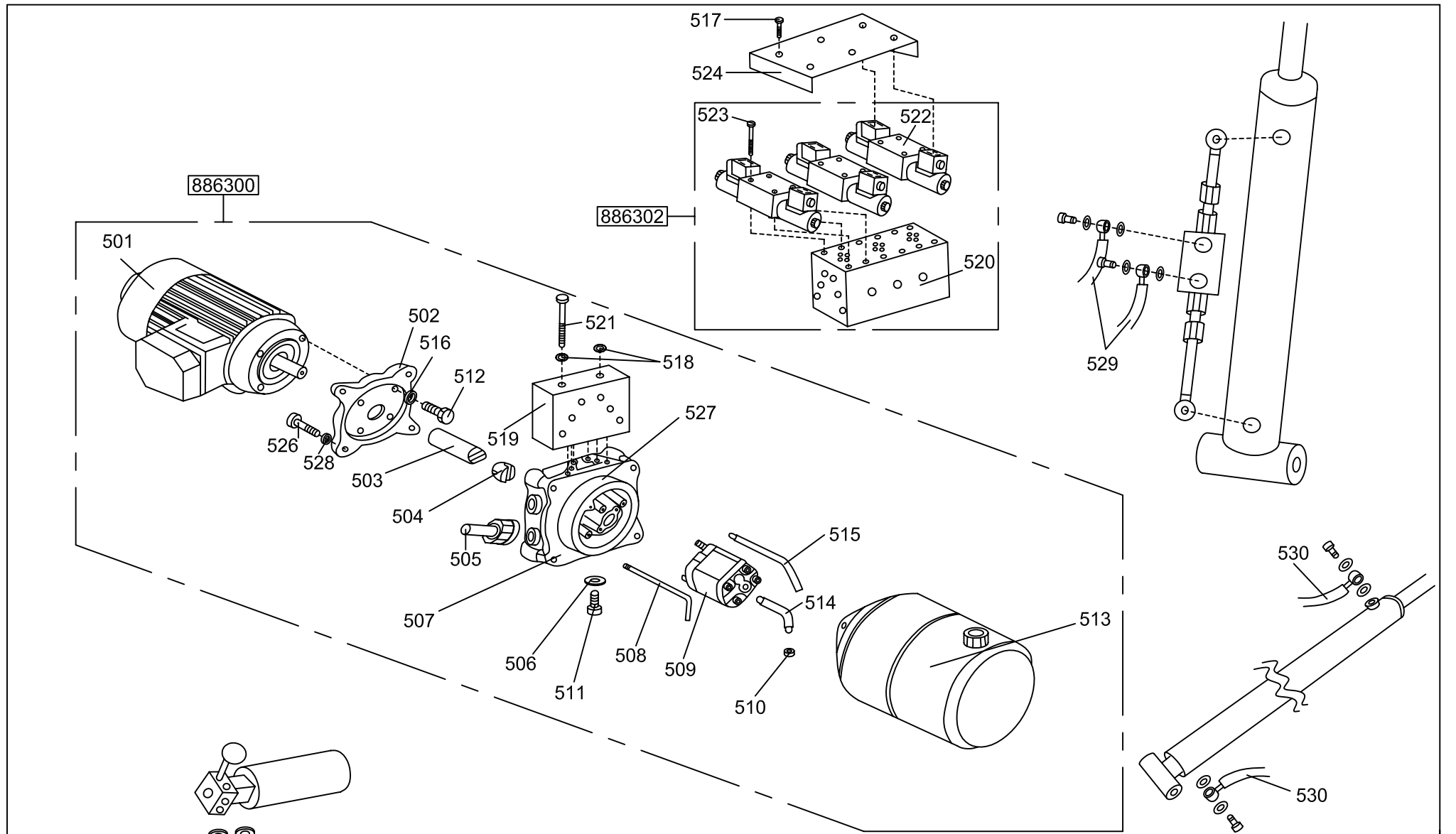
Itemref	Quantity	Title/Name, designation, material, dimension etc			Article No./Reference	
Designed by		Checked by	Approved by-date	File name	Date	Scale
Pogliani e Rivolta s.p.a.				TiREX260		
				Stallonatore		Edition dwg n° 4



Itemref	Quantity	Title/Name, designation, material, dimension etc	Article No./Reference			
Designed by		Checked by	Approved by-date	File name	Date	Scale
Pogliani e Rivolta s.p.a.			TiREX260			
			Gruppo autocentrante		Edition dwg n° 5	Sheet



Itemref	Quantity	Title/Name, designation, material, dimension etc			Article No./Reference	
Designed by		Checked by	Approved by-date	File name	Date	Scale
Pogliani e Rivolta s.p.a.				TiREX260		
				Gruppo motore e riduttore	Edition dwg n° 6	Sheet



886300

886302

501

502

516

512

521

518

526

528

503

504

505

507

506

511

508

509

510

515

514

529

517

524

523

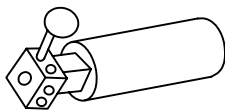
522

520

529

530

530

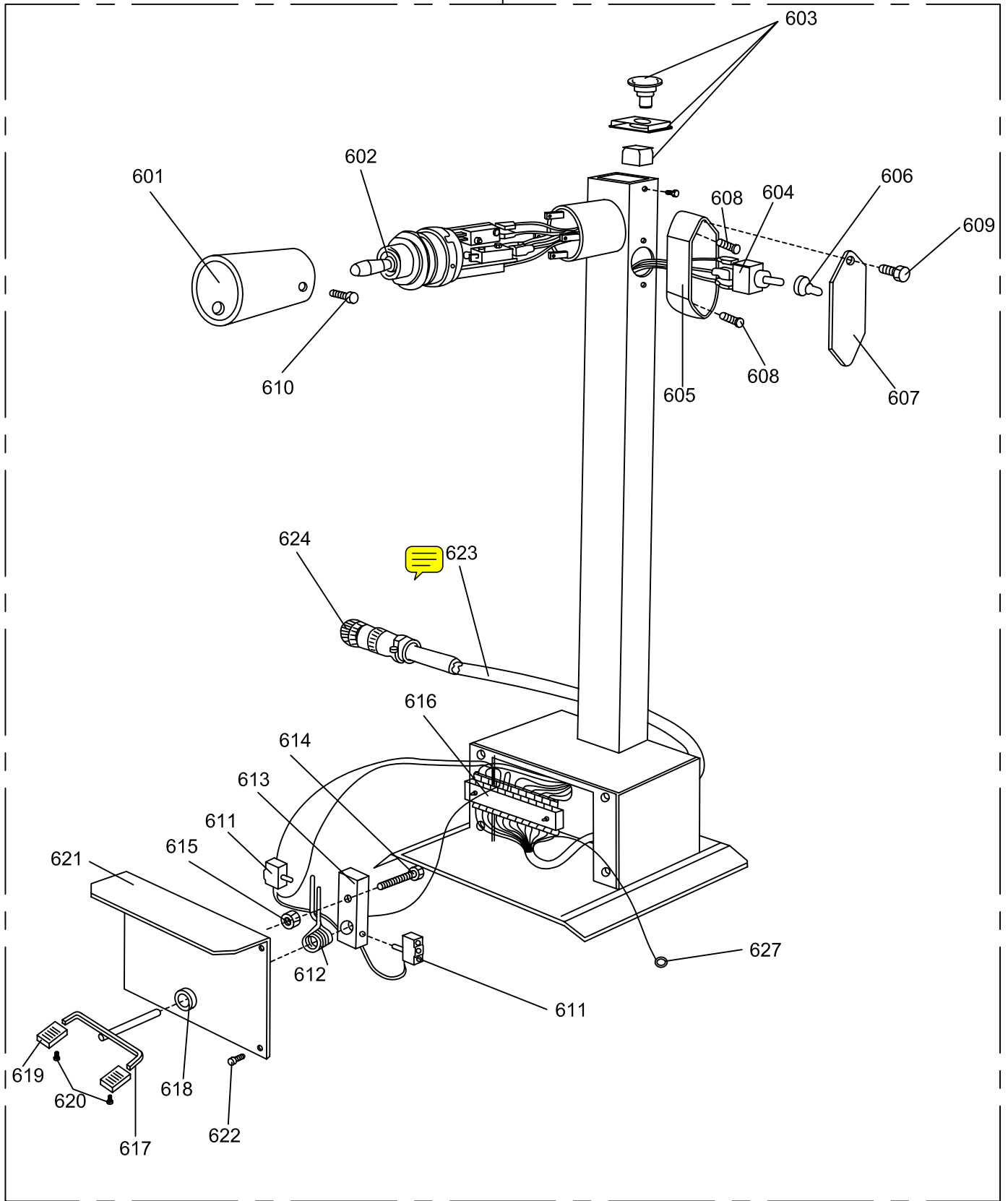


525

525

Itemref	Quantity	Title/Name, designation, material, dimension etc			Article No./Reference	
Designed by		Checked by	Approved by-date	File name	Date	Scale
Pogliani e Rivolta s.p.a.				TiREX260		
				Centralina idraulica	Edition dwg n° 7	Sheet

886306



Itemref	Quantity	Title/Name, designation, material, dimension etc	Article No./Reference			
Designed by		Checked by	Approved by-date	File name	Date	Scale
Pogliani e Rivolta s.p.a.			TiREX260			
			Manipolatore comandi	Edition dwg n° 8	Sheet	

TiREX 260

code	description (IT)	description (EN)	dwg nr.	nr. ref.
886 005	POMPA TIREX 160-T600	TiREX 160-600 pump	7	509
886 054	MOLLA PEDALI TIREX	pedals spring	8	612
886 098	DISTRIB. OLEODIN. TIREX	TiREX oil dispenser	7	519
886 300	gruppo pompa T260	T260 pump group	7	501÷516, 518, 519, 521, 526÷528
886 301	motore T260	T260 motor	6	304
886 302	gruppo valvole T260	T260 valves group	6	520, 522, 523
886 303	cilindro verticale T260	T260 vertical cylinder	2	34 ÷ 45
886 304	cilindro laterale T260	T260 side cylinder	2	22 ÷ 32
886 305	gruppo box elettr. T260	T260 electric box	---	---
886 306	comando mobile T260	T260 mobile command	8	601 ÷ 624
886 307	cilindro autocentr. T260	T260 chuck cylinder	5	201, 204, 205, 229 ÷ 237, 249 ÷ 252
886 308	cavo elettrico	electric cable	---	---
886 309	griffe	jaws	5	206, 207, 208, 209, 212
886 310	kit o-ring T260	T260 kit OR	---	---
886 311	PERNO BRACCIO AUTOCENTR.	chuck arm pin	1	11, 13, 15, 16
886 312	elettrovalvola	electric valve	7	522
886 313	kit riduttore T260	T260 kit reduction gear	6	317÷322, 324, 325, 341
886 314	interruttore termico	thermal interrupter	---	---
886 315	teleruttore	relay	---	---
886 316	interruttore generale	ON/OFF interrupter	---	---
886 317	trasformatore	transformer	---	---
886 318	protezione telaio T260	T260 body protection	1	7, 9, 10
886 319	raccordo girevole compl.	complete revolving link	5	203, 238 ÷ 246
886 320	valvola di ritegno	check valve	2	47
886 321	spia livello olio	oil level spy	6	328
886 322	utensile	utensil	4	151÷160
886 323	chiavistello completo	complete latch	4	161 ÷ 167
886 324	carter per cinghia T260	T260 motor belt carter	6	302, 309, 314, 337 ÷ 340
886 325	pattino per carrello	skate	3	108, 109, 110, 111, 112
886 326	kit occhiello	kit eyelet	2	48÷54
886 327	perno cilindro laterale (x2)	side cylinder pivot (x2)	2	20, 21
886 328	kit guarnizioni cilindro laterale	kit gaskets for side cylinder	2	23, 24, 26, 27, 29, 29, 31

886 329	kit guarnizioni cilindro verticale	kit gaskets for vertical cylinder	2	35, 36, 38, 39, 40, 41, 43
886 330	kit guarnizioni cilindro autocentrante	kit gaskets for chuck cylinder	5	204, 230, 232, 233, 234, 236, 237
886 331	kit guarnizioni mandrino	kit gaskets for shaft	5	223, 225, 227, 228
886 332	motore pompa	pump motor	7	501, 512, 516
886 333	manipolatore	manipulator	8	602
886 334	ingrassatori	lubricators	1, 2	12, 46
886 335	rullo pedana (x2)	platform roll (x2)	3	105, 106, 107
886 336	asta per braccio	arm pole	3	142
886 337	cricchetto	pawl	4	168 ÷ 173
886 338	monostaffa porta utensile	utensil clamp	4	154
886 339	disco stallonatore	teflon disk	4	156, 157, 158, 160
886 340	UTENSILE A BECCO TIREX	beaked utensil	4	152
886 341	tubi cilindro verticale (x2)	vertical cylinder tubes (x2)	6	529
886 342	tubi cilindro laterale (x2)	side cylinder tubes (x2)	6	530
886 343	tubi raccordo girevole	revolving link tubes	6	525
886 344	ESPULSORE BRACCIO T260	utensil arm ejector	4	174, 175, 176
886 345	COMMUTATORE BIPOLARE	bipolar changer	8	604, 606
886 346	BRACCIO PER UTENSILI T260	utensil arm	4	177
886 347	MANOMETRO TIREX	manometer	5	202
886 348	stop emergenza	emergency stop	8	603
886 349	scatoletta per commutatore	changer box	8	605, 607, 608, 609
886 350	protezione cuffia	bonnet protection	8	601, 610
886 351	micro pedaliera (x2)	pedals microswitch (x2)	8	611, 613, 614, 615
886 352	mandrino autocentrante	chuck shaft	5	224, 247, 248
886 353	braccio autocentrante completo	complete chuck arm	5	206 ÷ 216, 218 ÷ 223
886 354	CROCIERA T260	cruise	5	217, 252
886 355	bracci aggrappamento	fixing arms	5	210, 211, 218, 219, 220, 221
886 356	stabilizzatore	stabilizer	5	213
886 357	supporto griffa	jaw support	5	207, 209, 212
886 358	bielle bracci aggrappamento	fix arms connecting rods	5	214, 215, 216
886 359				
886 360	pedali a bilancere (x2)	pedals with balancer (x2)	8	617, 618, 619, 620
886 361	PULEGGIA MOTRICE	motor pulley	6	301
886 362	CINGHIE MOTORE 2PZ	motor belts	6	303
886 363	PULEGGIA CONDOTTA	conducted pulley	6	316
886 364	supporto motore	motor support	6	305, 306, 333, 334
886 365	perno registro motore	motor record pivot	6	307, 308, 335, 336
886 366	carter riduttore	carter for reduction gear	6	310, 323, 326, 328, 329, 330, 331

886 367	T260 PROTEZ. CIL. AUTOC.	carter for chuck cylinder	6	327, 342, 343
886 368	guarnizioni carter riduttore	gaskets for reduction gear carter	6	311, 332
886 369	morsettiera pedaliera	pedals terminal block	8	616
886 370	cavo elettrico pedaliera	pedal electric cable	8	623, 624
886 371	supporto vite senza fine	l support life without end	6	313
886 372	vite senza fine	screw without end	6	318, 324
886 373	ruota elicoidale	helical wheel	6	322
886 374	cuscinetti riduttore (2+2)	reduction gear bearings (2+2)	6	319, 320
886 375	supporto box elettrico	electric box support	1	1, 2, 4, 5
886 376	piastra raccordo	link plate	6	502, 526, 528
886 377	albero cavo + giunto	hollow shaft with joint	6	503, 504
886 378	piastra oleodinamica	hydraulic plate	6	505, 506, 507, 511, 518, 521, 527
886 379	telaio	metallic body	1	6, 7, 8
886 380	perni cilindro verticale (x2)	vertical cylinder pivots (x2)	1	14
886 381				
886 382	serbatoio	oil tank	7	513
886 383	carter cilindro laterale	side cylinder carter	1	17, 18, 19
886 384	pedana ruota	wheel platform	3	101, 102, 103, 104
886 385	carter elettrovalvole	electric valves carter	6	517, 524
886 386	carrello	cart	3	113, 114, 115, 116
886 387	molla utensile becco	beaked utensil spring	4	153
886 388	sicura	lock	4	178÷183
886 389	sicura meccanica	mechanics lock	4	184÷189